

ph and ORP immersion probe 9336



- Protective holder
- Simplified calibration routine
- For 1 electrode with PG 13.5 fitting
- Adjustable immersion depth
- PVC, PPH or PVDF

APPLICATIONS

- For all pH and ORP measurements in basins, open channels and tanks.

DESCRIPTION

Support 9336 insures adjustable position and protection of electrode in basins, channels and tanks. It allows an easy calibration routine without risks to break the electrode.

Standard construction is of PVC, PPH or PVDF tubes O.D. 50 mm Fastening collar or adjustable flange, allow the PVC or PPH probes to be positioned at the right height.

For the calibration routine, the electrode protection end is removable from the holder, which is perfectly adapted to our buffer flasks (9011; 9012; 9013; 9015). There is no need to hold the probe during calibration. Flask and probe are tightly assembled and they can stand on the floor. No more spilled buffer neither damaged electrode.

Associated electrodes:

Associated electrodes are to be selected from our pH - Redox data-sheet (150-01). Only electrodes with sealing PG 13.5 fit on these probes.

TECHNICAL FEATURES

Immersion height	1 m (On request from 0.3 up to 3.0 m)
Construction	PVC, PPH or PVDF
Pressure	Atmospherique pressure
Head	PBT glass fiber reinforced - IP 65
Cable output	PG 9
Fitting	PE flange 9358, adjustable height or PE collar, for diam. 50 mm
Temperature limits	0... 55 °C (PVC) 0... 100 °C (PPH or PVDF)

Options:

- PE flange 9358, adjustable height, for probes O.D. 50 mm (9336 & 9337)
- Rocking bucket in PPH

CE conformity: The instrument meets the legal requirements of the current European Directives.



BAMO INTERNATIONAL

22, Rue de la Voie des Bans · Z.I. de la gare · 95100 ARGENTEUIL

Tel +33 (0)1 30 25 83 20 Web www.bamo.eu

Fax +33 (0)1 34 10 16 05 E-mail export@bamo.fr

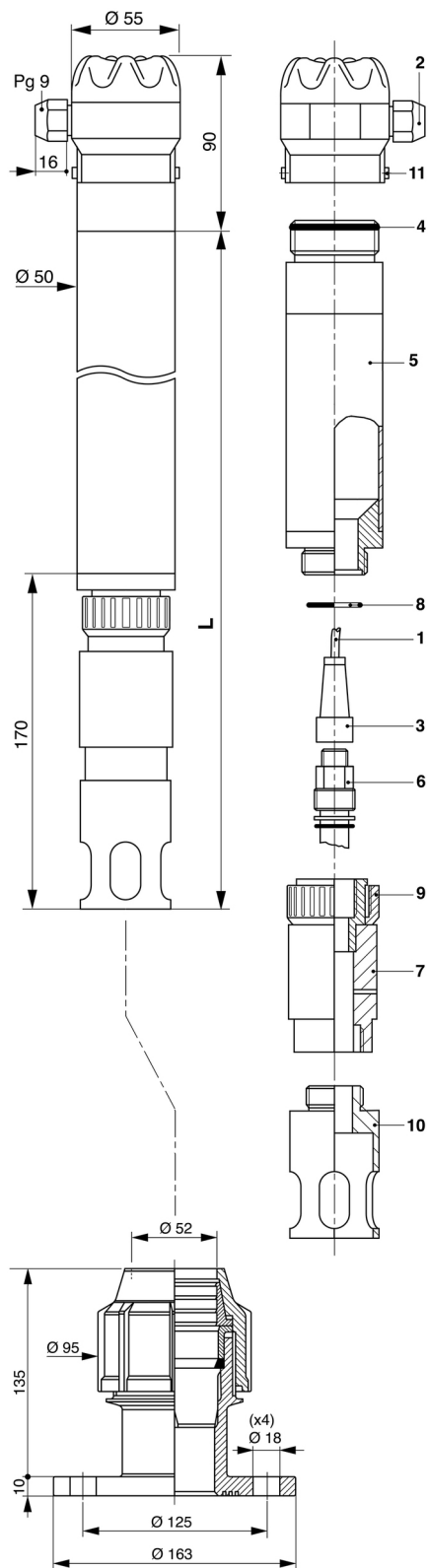
ph and ORP immersion probe
9336

22-01-2018

D-130.01-EN-AC

ph

130-01 /1



CODE NUMBERS AND REFERENCES

Code	Reference	Description
130 150	9336 PVC	Probe PVC, 1 m, for 1 electrode
130 250	9336 PPH	Probe PPH, 1 m, for 1 electrode
130 350	9336 PVDF	Probe PVDF, 1 m, for 1 electrode
130 114	9338 PVC	Probe PVC, 1 m, for 1 electrode with rocking bucket in PPH
Accessories		
130 112	9358 PE	Adjustable flange (probes 9336/9337, O.D. 50)
Spare parts		
130 113	9338 Rocking bucket	Rocking bucket in PPH with holder base (for probe 9336)
130 155	9336 PVC BDS	Holder base PVC, for 1 electrode
130 255	9336 PPH BDS	Holder base PPH for 1 electrode

Note : Holder base includes 1 electrode holder (7), 1 o-ring seal (8), 1 screw nut (9) and 1 protective end (10).

DIMENSIONS AND COMPONENTS

- 1) Coaxial cable 9060 (1) (To be ordered separately)
- 2) Cable gland on probe head
- 3) Connector 9054 (To be ordered separately)
- 4) O-ring seal for head housing
- 5) Extension tube
- 6) Electrode (To be ordered separately)
- 7) Electrode holder
- 8) O-ring seal on extension tube
- 9) Loose nut on electrode holder
- 10) Protective end
- 11) Blocking screws

BAMO INTERNATIONAL

22, Rue de la Voie des Bans · Z.I. de la gare · 95100 ARGENTEUIL

Tel +33 (0)1 30 25 83 20 Web www.bamo.eu

Fax +33 (0)1 34 10 16 05 E-mail export@bamo.fr

ph and ORP immersion probe
9336

22-01-2018

D-130.01-EN-AC

ph

130-01 /2