

attente indice 190709 FLOATING PROBE HOLDERS



Floating holder for pH measurements



Floating holder for hydrocarbons thickness probe

- Floating holders for varying levels
- For pH measurement
- For hydrocarbons thickness probe
- Construction: AISI 316 L
- Equipped with mooring rings

APPLICATIONS

Floating holders allow measurement or detection (pH, hydrocarbons layer thickness) on varying level of fluids, even with great amplitudes. They may be secured by cables through two mooring rings and accept moderate stream in rivers, basins, lakes.

Examples:

- Rainwater retention
- Underground reservoir

DESCRIPTION

Floating holder for pH is annular, in stainless steel, with a great stability. Adjustable (sliding flange) fitting allows adjustment of immersion depth of probe.

For hydrocarbon layer thickness detector, the floating holder is based on 3 stainless steel floats, allowing free movement of hydrocarbon fluids. Immersion depth of probe is adjusted through the fastening pressure gland.

On each type there are 2 mooring rings to secure the complete system. Design is a robust construction for no necessary maintenance.

Contact us for any specific application.

CODE NUMBERS AND REFERENCES

Code	Description
143 500	Floating holder for NivOil probe
143 510	Floating holder for immersion probe 9336 (flange included)
143 511	Floating holder for immersion probe 9346 and TOR (without flange)

Note: Probes 9336, 9346 and hydrocarbons detector, are not included with the supply, to order separately (Data-sheets 130-01, 135-01 and 531-01).

CAUTION:

- pH immersion probe length must be less than 500 mm.
- On site, the operator has to take care of depth distance to be sure that end probe cannot touch the bottom of the pool when water is at its lowest level.

BAMO INTERNATIONAL

22, Rue de la Voie des Bans · Z.I. de la gare · 95100 ARGENTEUIL

Tel +33 (0)1 30 25 83 20 Web www.bamo.eu

Fax +33 (0)1 34 10 16 05 E-mail export@bamo.fr

attente indice 190709
FLOATING PROBE HOLDERS

09-12-2019

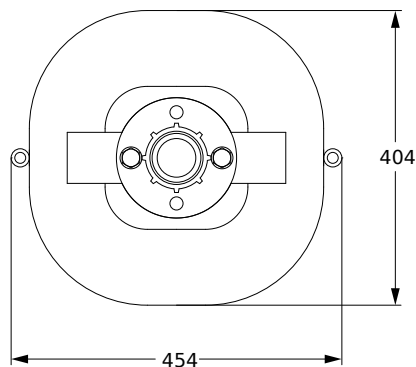
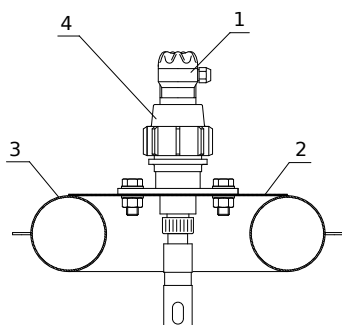
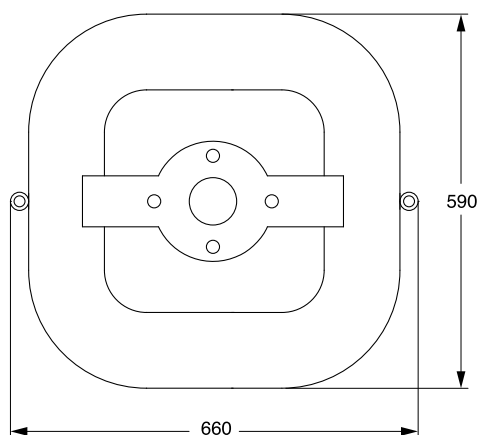
D-143.02-EN-AD

pH

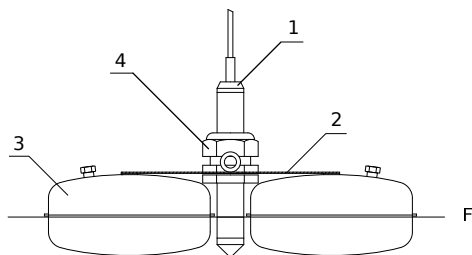
143-02/1

Floating holder for probe 9336:

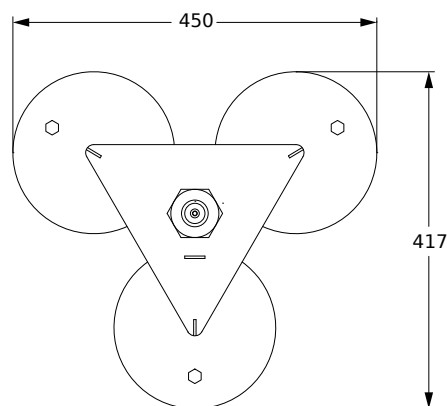
- (1): Immersion probe 9336 (to order separately)
 (2): Plate
 (3): Float AISI 316, Ø 104 mm
 (4): Fitting: Adjustable flange

**Floating holder for immersion probe 9346 and TOR:****Floating holder for NivOil probe:**

- (1): Hydrocarbon level detector (to order separately)
 (2): Plate
 (3): Floats AISI 316; Each: Ø 200 mm
 (4): Fitting: PG M50 x 1,5



F: Waterline



BAMO INTERNATIONAL

22, Rue de la Voie des Bans · Z.I. de la gare · 95100 ARGENTEUIL

Tel +33 (0)1 30 25 83 20 Web www.bamo.eu

Fax +33 (0)1 34 10 16 05 E-mail export@bamo.fr

attente indice 190709
FLOATING PROBE HOLDERS

09-12-2019

D-143.02-EN-AD

pH

143-02/2