

Leak detector on floor MAXITOP LWC B



- Capacitance detection loop
- For aggressive and conductive liquids
- Fail safe; Self diagnostic of loop integrity with SHR or TC4 or TC1
- Wet parts in plastic materials

APPLICATIONS

The MAXITOP LWC-B is ideal to give an alarm when a leakage occurs on the floor of retentions or collecting areas. With its fail safe detection loop, it is permanently operational.

DESCRIPTION

MAXITOP LWC-B is designed to detect conductive liquids with a reactance of up to 5 kOhm/cm and when the coupling capacitance towards ground is more than 50 pF. The liquids may not generate electrical insulating or conductive deposit.

MAXITOP LWC-B has 5 different types of connections:

- Contact output, low voltage (Max. 50 V AC/DC; Max. 0.5 A; Max. 10 VA)
- Relay output, adding a relay converter CST (data-sheet D-555.09)
- Output relay, adding a relay converter SHR (data-sheet 555-06)
- Direct connections to a PLC
- Signaling events on site, with devices TC4 or TC1 (data-sheet 555-07)

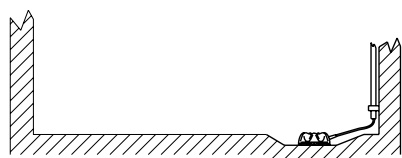
TECHNICAL FEATURES

Power supply	15 ... 26 V DC
Consumption	About 1 W
Ambient temperature	-20 ... +60 °C
Housing	PBT; IP 67 (EN 60529)
Cable output	Standard length: 6 m 5 x 0.5 mm ² , shielded, PVC sheath
Trigger point	Minimum height of liquid: 1 mm

EC Conformity: The instrument meets the legal requirements of the current European Directives.

CODE NUMBER AND REFERENCE

Code	Reference	Description
556 500	MAXITOP LWC-B	Floor leak detector With PVC cable; 6 m long



Floor leak detection

BAMO INTERNATIONAL

22, Rue de la Voie des Bans · Z.I. de la gare · 95100 ARGENTEUIL

Tel +33 (0)1 30 25 83 20 Web www.bamo.eu

Fax +33 (0)1 34 10 16 05 E-mail export@bamo.fr

Leak detector on floor
MAXITOP LWC B

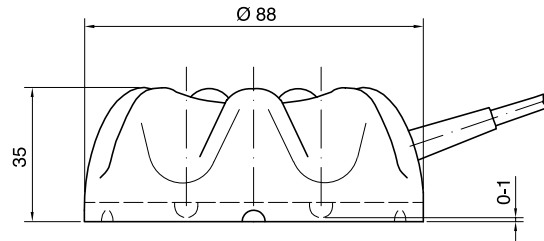
26-06-2020

D-556.05-EN-AA

NIV

556-05 /1

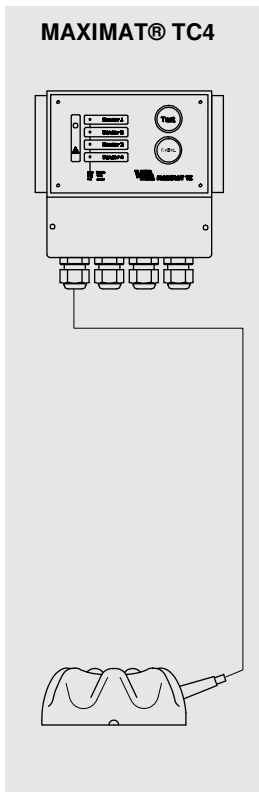
DIMENSIONS



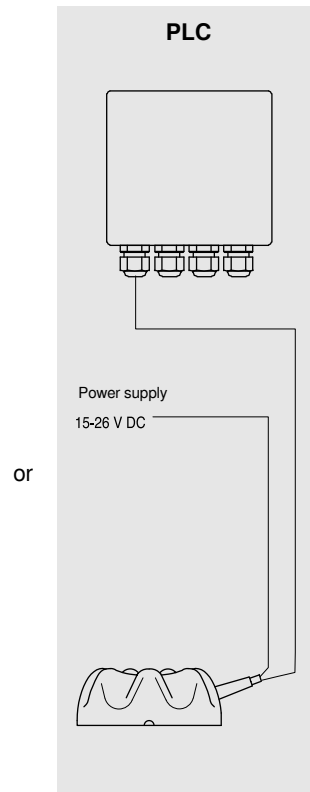
CONNECTION POSSIBILITIES

- Schematic representation of connection possibilities -
For detailed electrical connections: see the end-user manual msa556-05.

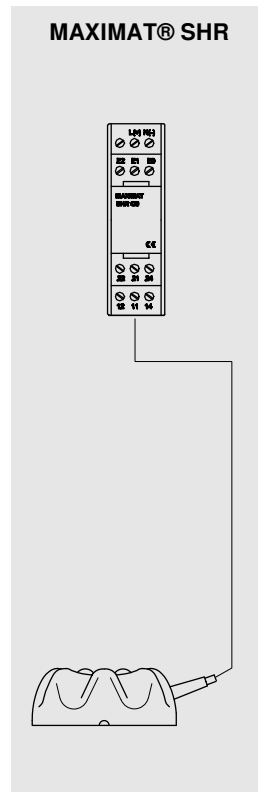
Direct connection to alarm units TC4 (or TC1)



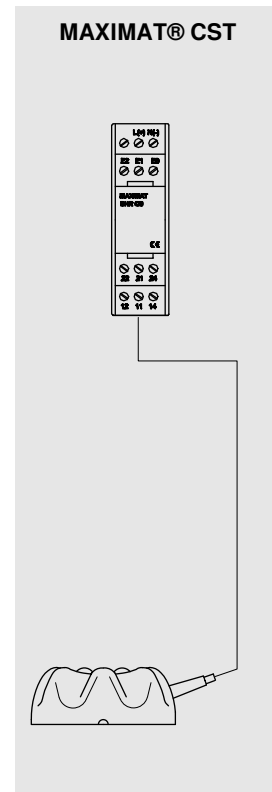
Connection to a PLC



Connection with the converter SHR



Connection with a relay CST



BAMO INTERNATIONAL

22, Rue de la Voie des Bans · Z.I. de la gare · 95100 ARGENTEUIL

Tel +33 (0)1 30 25 83 20 Web www.bamo.eu

Fax +33 (0)1 34 10 16 05 E-mail export@bamo.fr

Leak detector on floor
MAXITOP LWC B

26-06-2020

D-556.05-EN-AA

NIV

556-05/2