

LEAKAGE SENSOR MAXIMAT LW CX SDR



Sensor in PE holder



MAXIMAT LW CX SDR 4



Sensor in PVC holder with viewing tube

- All-plastic version
- Integrated transmitter and connection for test button
- No moving parts
- Universally applicable
- NPN / PNP interface

CERTIFICATES

- General building supervisory approval issued by DIBt: Z-65.40-496
- Certification of Product Approval by SVTI ASIT: KVV-Nr. 321.012.19
- Vlareem II (Corcon bvba) certificate: CP0914/3073-HCC001

APPLICATION

Leakage sensor in accordance with the German Water Resources Act (WHG) for double-walled pipings to store, bottle and turn over water-polluting, electrically conductive, non-flammable liquids.

DESCRIPTION

The MAXIMAT LW CX SDR compact leakage sensor are designed to detect leaks in double-walled pipings with water-polluting liquids. When an electrically conductive liquid comes into contact with the detection sensor, the integrated electronics respond by interrupting the continuous output signal. This signal can be read out from the system controller as acoustic and optical alarm.

TECHNICAL DATA

Working principle	Capacitive high-frequency
Ambient temperature	-20...+60 °C
Operating pressure	Atmospheric; Limits: 0.8 to 1.1 bar
Head housing	PBT, fibre-glass reinforced
Protection	IP65 according to EN 60 529
Fittings	See ordering information
Power supply	15...27V DC
Consumption	< 1 W
Materials	Sensor: PE or PP Union nut: PVC / PP Seal reference electrode: TPR Seals of probe and ball valve: EPDM / FPM (optional)
Output	Potential-free reed contact for low voltage (normally closed, it opens when alarm occurs) Max. 50V AC/DC, 0.5A, 10VA; Convenient for operating with PLC, signaling device TC4 or coupling relay CST. 2-wire alarm output reporting with MAXIMAT SHR C

Note: Simultaneous use of both outputs is not possible!

Terminals	Screw terminals, cable max. 2.5 mm ²
Additional function	Connection of an external test button (potential-free contact), for a complete diagnostic of the MAXIMAT LW CX SDR electronics, the wiring and the signaling and control unit.

BAMO INTERNATIONAL

22, Rue de la Voie des Bans · Z.I. de la gare · 95100 ARGENTEUIL

Tel +33 (0)1 30 25 83 20 Web www.bamo.eu

Fax +33 (0)1 34 10 16 05 E-mail export@bamo.fr

LEAKAGE SENSOR
MAXIMAT LW CX SDR

11-09-2021

D-556.04-EN-AF

LEV

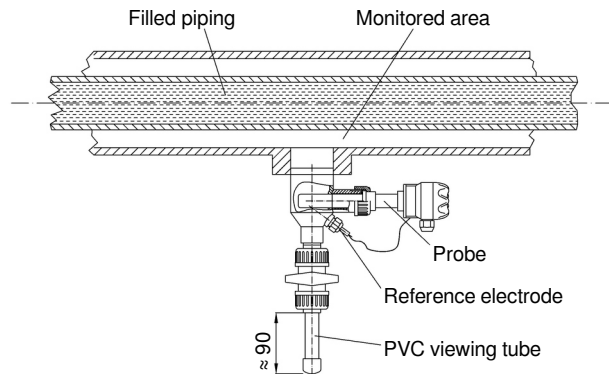
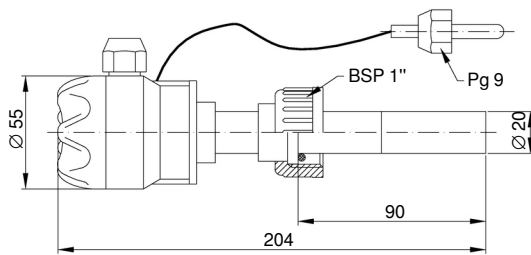
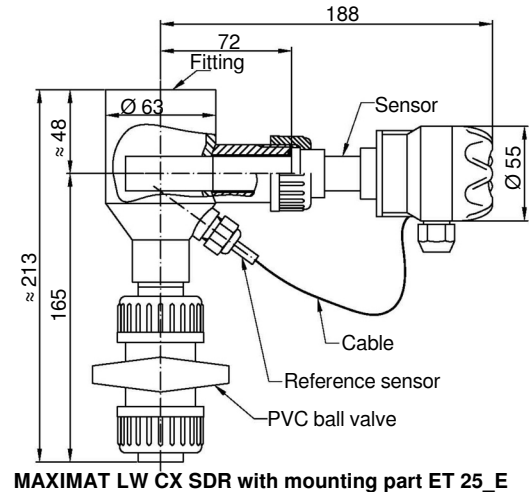
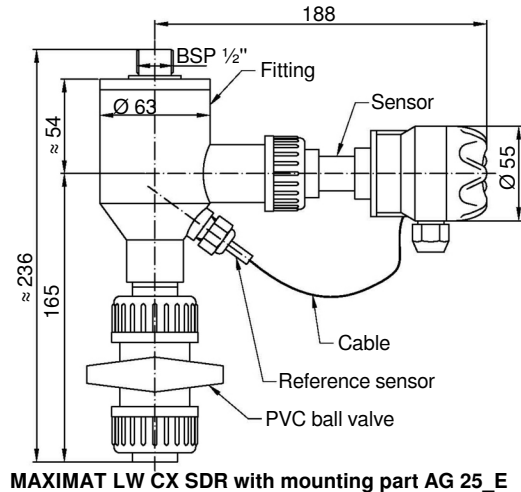
556-04/1

TECHNICAL DATA (continuation)

Input	For external test button (connection to terminal T and terminal C) Test button contact closed = test alarm is triggered
Connectivity interfaces	Alarm unit MAXIMAT TC1/TC4 Coupling relay CST Measuring transducer MAXIMAT SHR C Automation with PLC

CE mark: The device fulfills the legal requirements of applicable EU-guidelines.

DIMENSIONS



CODE NUMBERS AND REFERENCES

Code	Reference	Description
556 810	MAXIMAT LW CX-SDR 4	Leakage sensor, PE, Ø20mm; With PVC union nut BSP 1"; Reference sensor Pg 9
556 815	MAXIMAT LW CX-SDR 2	Leakage sensor, PP, Ø20mm; With PP union nut BSP 1"; Reference sensor Pg9
556 820	ET 251 E	PVC holder, for solvent welding Ø63mm; PVC ball valve ND 15
556 830	ET 254 E	HD-PE holder, for fusion welding Ø63mm; PVC ball valve ND 15
556 840	AG 251 E	PVC holder, fitting BSP 1/2"; PVC ball valve ND 15
556 850	AG 254 E	HD-PE holder, fitting BSP 1/2"; PVC ball valve ND 15
556 860	PVC viewing tube	Transparent viewing tube for holders models AG

BAMO INTERNATIONAL

22, Rue de la Voie des Bans · Z.I. de la gare · 95100 ARGENTEUIL
Tel +33 (0)1 30 25 83 20 Web www.bamo.eu
Fax +33 (0)1 34 10 16 05 E-mail export@bamo.fr

**LEAKAGE SENSOR
MAXIMAT LW CX SDR**

11-09-2021

D-556.04-EN-AF

LEV

556-04/2