

Resistive level with flexible probes HE - HS

- For electrically conductive liquids
- Immersion up to 5 m; cables: up to 25 m
- From 1 to 5 probes



HS

APPLICATIONS

- HE version: Level detection on neutral liquids
- HS version: Level detection on aggressives liquids

DESCRIPTION

Probes HE and HS, hanged electrodes, are to be in use with relays ES2001 for detection of liquid levels in storage tank.
Depending on the model, up to 5 levels can be detected using the wall tank as a reference electrode; Provide a reference electrode if the tank is made of insulating material (i.e. up to 4 level detection + 1 reference).
This technical solution is not suitable for liquids with hydrocarbons or grease or for any other application where an insulating layer is liable to deposit on the electrodes. Flexible probes are recommended for tanks with a height greater than 1000 mm.

TECHNICAL FEATURES

Fitting material	HE: PP HS: PVC
Cable	HE: Flexible PVC HS: Special cable coated with PES
Housing	PBT, glass fiber reinforced
HS probe body	PVC
Ambient temperature	-20 ... +60 °C
Liquid temperature	HE version: 0 ... +60 °C, HS version: Depends of chemical resistance of PVC and PES
Pressure	0.5 bar (Immersion depth Max. 5 m with SG = 1)
Protection	IP 65 according EN 60 529
Minimum for cable lengths L1 & L2:	HE: 0.3 m HS: 0.2 m
Maximum for cable lengths L1 ... L5:	25 m

EC Conformity: The instrument meets the legal requirements of the current European Directives.

BAMO INTERNATIONAL

22, Rue de la Voie des Bans · Z.I. de la gare · 95100 ARGENTEUIL
Tel +33 (0)1 30 25 83 20 Web www.bamo.eu
Fax +33 (0)1 34 10 16 05 E-mail export@bamo.fr

Resistive level with flexible
probes
HE - HS

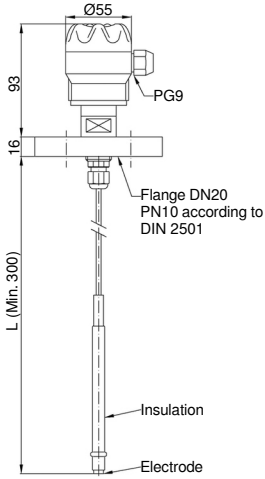
15-04-2021

D-542.01-EN-AC

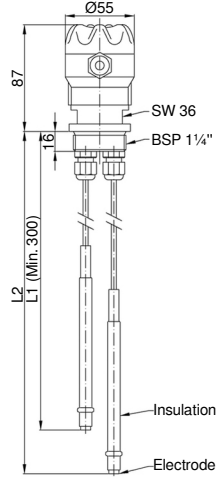
LEV

542-01 /1

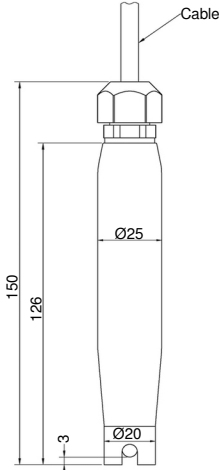
DIMENSIONS



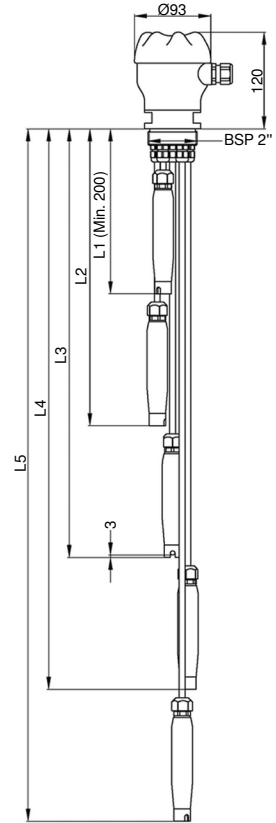
HE-AF2



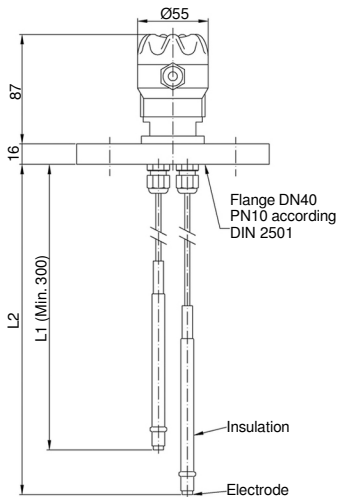
HE-Z



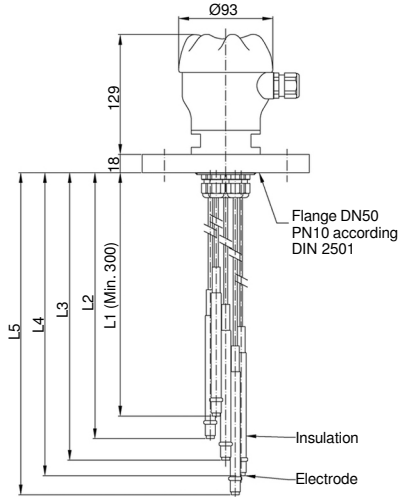
HS-X



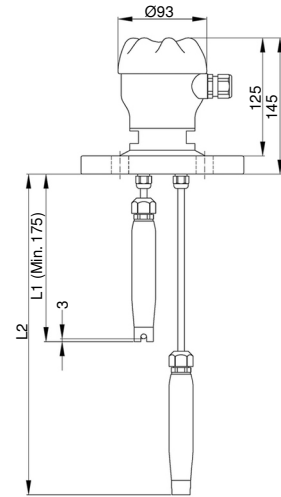
HS-F 5 electrodes, BSP 2"



HE-ZF2



HE-VF2



HS-ZF 2 electrodes, with flange

HE version: References

Hanged electrodes

Level detection for electrically conductive liquids (with the use of a relay ES 2001).

HE...

Number of probes and fitting type

- X** 1 probe; no fitting
- A** 1 probe, BSP 1/2"; IP65
- Z** 2 probes, BSP 1 1/4"; IP65
- D** 3 probes, BSP 1 1/4"; IP65
- V** 4 probes, BSP 2"; IP65
- F** 5 probes, BSP 2"; IP65

Total length from sealing surface

- L1** mm
- L2** mm
- L3** mm
- L4** mm
- L5** mm

HE- L1

Accessories:

- G2Z3 = counter nut, PP, BSP 1/2"
- G2Z6 = counter nut, PP, BSP 1 1/4"
- G2Z8 = counter nut, PP, BSP 2"
- F2 = Flange DN20, BSP-F 1/2" for HE A version
- F6 = Flange DN50, BSP-F 1 1/4" for HE Z and HE D versions
- F7 = Flange DN65, BSP-F G2" for HE V and HE F versions
- F8 = Flange DN80, BSP-F 2" for HE V and HE F versions

HS version: References

Hanged electrodes

Level detection for electrically conductive and aggressive liquids (with the use of a relay ES 2001).

HS...

Number of probes and fitting type

- X** 1 probe; no fitting
- A** 1 probe, BSP 1"; IP65
- Z** 2 probe, BSP 2"; IP65
- D** 3 probes, BSP 2"; IP65
- V** 4 probes, BSP 2"; IP65
- F** 5 probes, BSP 2"; IP65
- AF2** 1 probe, flange DN25 PN10, PVC; IP65
- ZF6** 2 probes, flange DN50 PN10, PVC; IP65
- DF6** 3 probes, flange DN50 PN10, PVC; IP65
- VF7** 4 probes, flange DN65 PN10, PVC; IP65
- FF8** 5 probes, flange DN80 PN10, PVC; IP65

Total length from sealing surface

- L1** mm
- L2** mm
- L3** mm
- L4** mm
- L5** mm

HS- L1



22, Rue de la Voie des Bans · Z.I. de la gare · 95100 ARGENTEUIL
Tel +33 (0)1 30 25 83 20 Web www.bamo.eu
Fax +33 (0)1 34 10 16 05 E-mail export@bamo.fr

Resistive level with flexible probes
HE - HS

LEV

542-01 /3

15-04-2021

D-542.01-EN-AC

542

542