

Plastic gauge guards SPM 903



- Base plate: PVC-U, PP, PVDF
- Diaphragm in EPDM; PTFE coated
- For aggressive and/or ultrapure liquids
- No metal parts
- OEM versions on request

DESCRIPTION

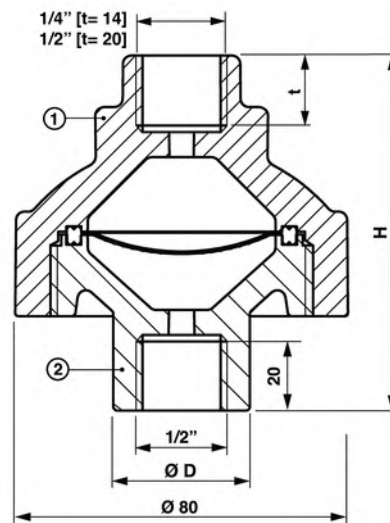
Pressure gauge guards SPM 903, are suitable to protect sensors against the destroying effects of aggressive liquids. Their design, all in plastic, PTFE coated diaphragm, insure a high chemical resistance.

Pressure from process is transferred to sensor through an incompressible liquid such as oil. Fitting of guard to sensor is done under vacuum.

We accept to fit on our guards, specific pressure sensors from Customers (please ask us before a quotation).

TECHNICAL FEATURES

Upper cover (1)	PPG (glass fibre reinforced PP)
Base plate (2)	PVC-U, PP, PVDF
Diaphragm	EPDM coated PTFE
Process connection	1/2" G
Instrument fitting	1/2" or 1/4" G
Pressure limit	10 bar at 20 °C as a maximum
Temperature limits	0...+60 °C with PVC-U base plate
(for the liquid in process)	+10 ... +80 °C with PP base plate
	-30 ... +100 °C (for PVDF base plate)



(Dimensions in mm)

PVC: Ø D = 40	PP, PVDF: Ø D = 33.5	PVC: H = 89	PP, PVDF: H = 83
---------------	----------------------	-------------	------------------

BAMO INTERNATIONAL

22, Rue de la Voie des Bans · Z.I. de la gare · 95100 ARGENTEUIL

Tel +33 (0)1 30 25 83 20 Web www.bamo.eu

Fax +33 (0)1 34 10 16 05 E-mail export@bamo.fr

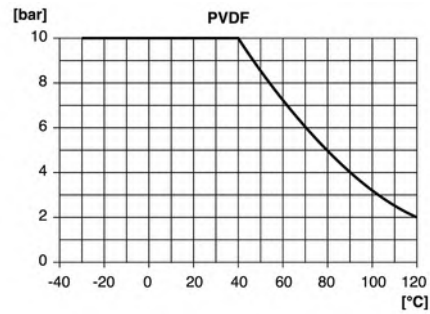
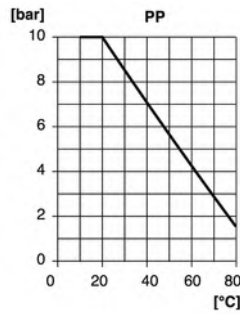
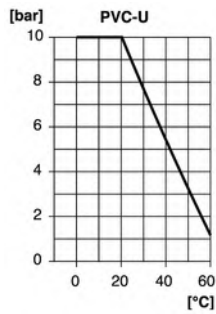
Plastic gauge guards SPM 903

05-10-2020

D-903.02-EN-AC

PLAS

903-02/1



Pressure limit vs. temperature

CODE NUMBERS AND REFERENCES

Process connection	Sensor fitting	PVC	PP	PVDF
1/2" GAZ	1/2" GAZ	903 100	903 200	903 250
1/2" GAZ	1/4" GAZ	903 104	903 204	903 254

RECOMMENDATIONS

When guard is supplied alone, the end-user must fill the system guard + sensor, under vacuum, with an appropriate liquid. Without liquid the measure is false and diaphragm will be destroyed.

The system sensor + gauge guard, may be mounted in any position.

To install the system do not use the gauge as a handle. Use hexagonal wrench on the guard.

Caution: modifying the position of the gauge against the separator will change the inside pressure of filling liquid.

To test a system guard + sensor, never push on the diaphragm with any object.

Never disassemble a sensor from its guard.

When accidentally the gauge is separated from guard, you have to send back the both parts to our factory.

Damaged diaphragm and modified position of the sensor against the guard, are not covered by the warranty.



Example of use

BAMO INTERNATIONAL

22, Rue de la Voie des Bans · Z.I. de la gare · 95100 ARGENTEUIL

Tel +33 (0)1 30 25 83 20 Web www.bamo.eu

Fax +33 (0)1 34 10 16 05 E-mail export@bamo.fr

Plastic gauge guards
SPM 903

05-10-2020

D-903.02-EN-AC

PLAS

903-02/2

PRESSURE REDUCING VALVES

RDP 906



- All wetted parts in plastic
- Protection of low pressure process lines
- Body parts: Glass fibre reinforced PPH
- Diaphragm: PTFE coated EPDM
- Adjustable from 1 to 9 bar
- From ND 10 to ND 25

APPLICATION AND FITTING

A pressure reducing valve RDP 906 maintains constant the pressure downstream, at the adjusted value (*lower than the upstream pressure*).

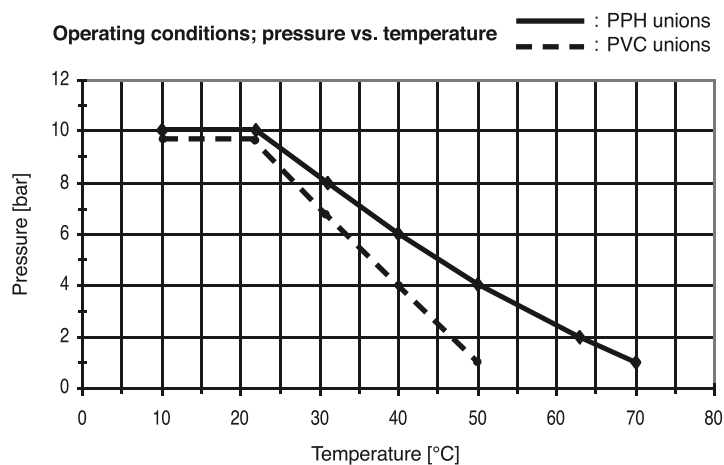
An EPDM diaphragm, PTFE coated, separates the mechanical parts body and the channel. All wetted parts are in plastics. The seat seal is in EPDM or FPM according to the model and connections. Without any metallic parts exposed to the atmosphere it allows a location in aggressive, corroding ambient.

The downstream pressure is adjustable from 1 to 9 bar with an upstream pressure up to 10 bar.

These equipment protection devices may be fitted in any position, in line, or on by-pass according to the application.

TECHNICAL FEATURES

Body parts:	Glass fibre reinforced PPH
Diaphragm:	PTFE coated EPDM
Seat seal and O-rings:	EPDM or FPM
Adjustable range:	1...9 bar
Pressure:	Class PN 10 (at 20°C) ; [bar]
Inlet / outlet size:	ND 10 to ND 25
Connections:	DIN 8068 threaded
	PVC union to glue on site
	PPH union to weld on site
Temperature limits	PPH: 10 to 70°C ; PVC: 10 to 50°C



BAMO MESURES

22, Rue de la Voie des Bans - Z.I. de la Gare - 95100 ARGENTEUIL

Tél : (+33) 01 30 25 83 20 - Web : www.bamo.fr

Fax : (+33) 01 34 10 16 05 - E-mail : info@bamo.fr

PRESSURE REDUCING
VALVES
RDP 906

31-01-2013

906 I1 02 D

PLAS

906-02/1

906

CODE NUMBERS

RDP 906 with PVC unions to be glued on site

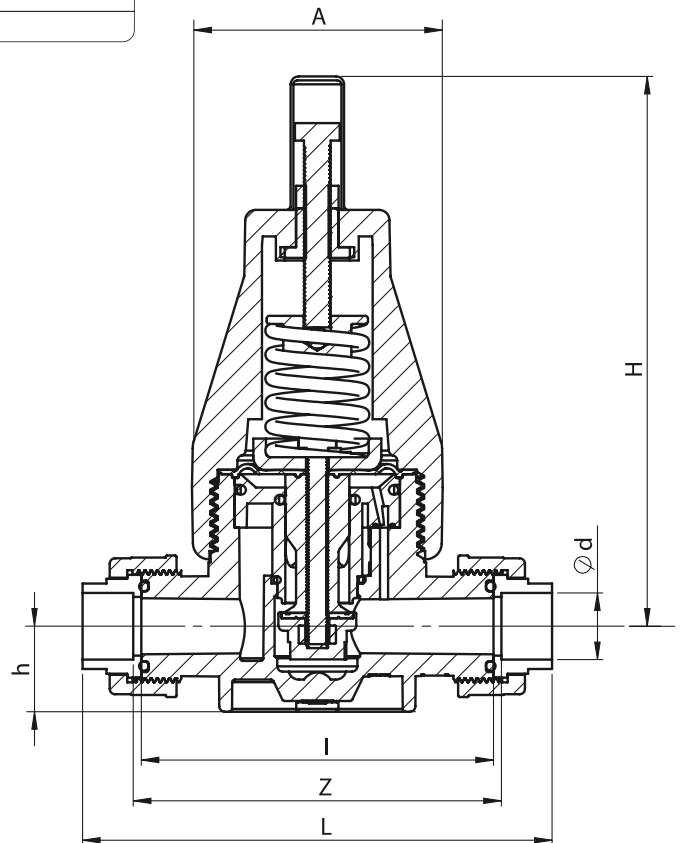
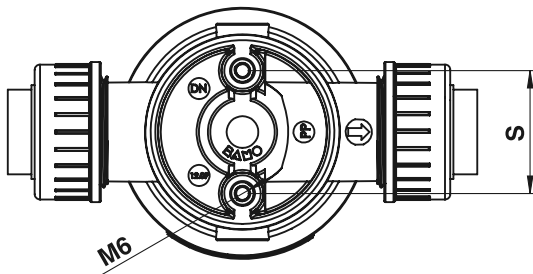
ND	Sealing EPDM	Sealing FPM
ND 10	906 001	906 011
ND 15	906 002	906 012
ND 20	906 003	906 013
ND 25	906 004	906 014

RDP 906 with PP unions to be welded on site

ND	Sealing EPDM	Sealing FPM
ND 15	906 102	906 112
ND 20	906 103	906 113
ND 25	906 104	906 114

Any other material or model: please contact us

DIMENSIONS



ND	d (mm)	A [mm]	H [mm]	h [mm]	I [mm]	S [mm]	Z [mm]		L [mm]		Mass [Kg]
							PVC	PPH	PVC	PPH	
ND 10	16	80	186	24	112	40	118	-	147	-	0,52
ND 15	20	80	186	24	112	40	118	118	152	151	0,53
ND 20	25	94	210	32	132	46.5	138	138	176	175	0,93
ND 25	32	94	210	32	132	46.5	138	138	182	179	0,96

FLOW RATE LIMITS

ND	Flow rate [l/h] *
ND 10	900
ND 15	2000
ND 20	3500
ND 25	5500

* Measured maxima according to a fluid speed of 3 m/s approx.
The speed of 3 m/s may be considered as a maximum.
Above 3 m/s the plastic devices will be damaged.

For water at 20°C

BAMO MESURES

22, Rue de la Voie des Bans - Z.I. de la Gare - 95100 ARGENTEUIL

Tél : (+33) 01 30 25 83 20 - Web : www.bamo.fr

Fax : (+33) 01 34 10 16 05 - E-mail : info@bamo.fr

**PRESSURE REDUCING
VALVES
RDP 906**

31-01-2013

906 I1 02 D

PLAS

906-02/2

Pressure relief valves SDD 910



- All wet parts in plastic
- Protection of pumps and piping
- Body: PPG or PVDF
- Unions: PVC, PP or PVDF
- ND 10 and ND 15
- Adjustable trigger point: 0.5 ... 6 bar

FUNCTION AND INSTALLATION

Pressure relief valve SDD 910 protects a network of pipes in the event of overpressure that could lead to deterioration of the system. It limits the static pressure to a constant upstream pressure when the pressure is over the settled value.

All wet parts are of plastics. The diaphragm and seals are of EPDM or FPM according the model.

SDD 910 valves may be used as pressure relief valves on dosing or volumetric pumping systems.

The pressure relief valves are mounted in any position, or in line or as a bypass, according to requested operation.

They can also be used on injection stems with dosing pumps, avoiding the risk of siphoning, creating a constant back-pressure (adjustable on site).

As a standard supply, valves SDD 910 have a top handle for adjustment, which is self-locking.

(No needs of tools)



TECHNICAL FEATURES

Body	PPG (glass fibre reinforced polypropylene) or PVDF
Diaphragm	EPDM or FPM
Seals (unions)	EPDM or FPM
Upper cover	PPG
Adjusting knob	PPG
Screws	Stainless steel
Spring	Stainless steel
Insert (movement inside)	Brass
Dimensions	ND 10 or ND 15
Hysteresis	About 0.3 bar
Adjustment range	0.5 ... 6 bar
Fittings	PVC Unions for solvent welding; PP or PVDF Unions for fusion welding

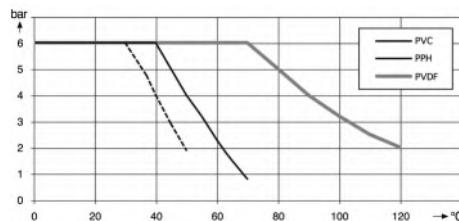


Diagram: Pressure vs. Temperature

BAMO INTERNATIONAL

22, Rue de la Voie des Bans · Z.I. de la gare · 95100 ARGENTEUIL

Tel +33 (0)1 30 25 83 20 Web www.bamo.eu

Fax +33 (0)1 34 10 16 05 E-mail export@bamo.fr

Pressure relief valves
SDD 910

28-10-2019

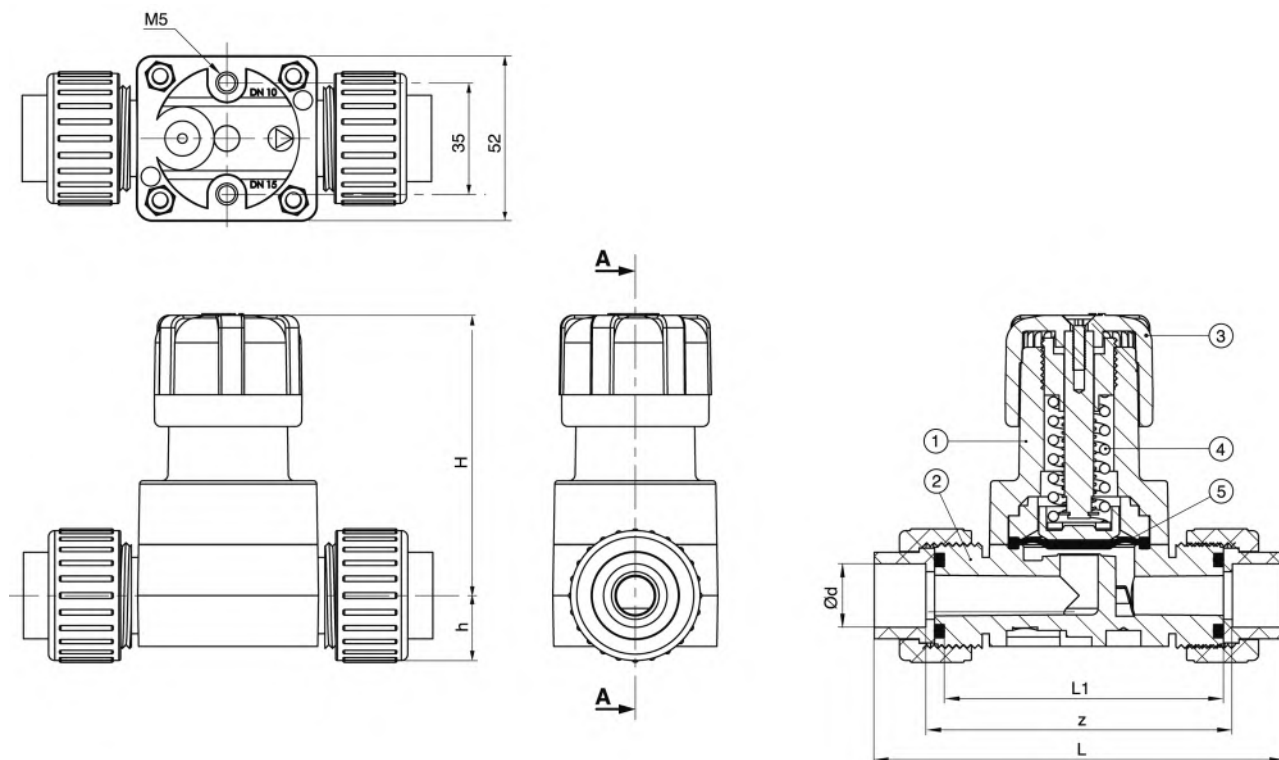
D-910.01-EN-AA

PLAS

910-01 /1

CODE NUMBERS, DIMENSIONS

Code	ND	Body / Unions	Seal & diaphragme	L	H	d	h	L1	Z
910 001	10	PPG / PVC	EPDM	124.5	89	16	18	91	97.5
910 002	15	PPG / PVC	EPDM	128	89	20	23	91	98
910 011	10	PPG / PVC	FPM	124.5	89	16	18	91	97.5
910 012	15	PPG / PVC	FPM	128	89	20	23	91	98
910 101	10	PPG / PP	EPDM	124.5	89	16	18	91	97.5
910 102	15	PPG / PP	EPDM	128	89	20	23	91	98
910 111	10	PPG / PP	FPM	124.5	89	16	18	91	97.5
910 112	15	PPG / PP	FPM	128	89	20	23	91	98
910 211	10	PVDF / PVDF	FPM	124.5	89	16	18	91	97.5
910 212	15	PVDF / PVDF	FPM	128	89	20	23	91	98



(1)	Bonnet in PPG (PP fiber-glass reinforced)
(2)	Body or in PPG or in PVDF
(3)	Adjustment knob in PPG
(4)	Spring in stainless steel
(5)	Diaphragm in EPDM or FPM

FLOW FEATURES

ND	Flow rate l/h*	Kv (l/h)**	*: Maximum flow rates for a speed of 3 m/second; **: Values for water at 20 °C <i>This speed is a maximum not to exceed with plastic materials. Beyond, the valve deteriorates quickly.</i>
10	900	1920	
15	2000	2560	

BAMO INTERNATIONAL

22, Rue de la Voie des Bans · Z.I. de la gare · 95100 ARGENTEUIL
 Tel +33 (0)1 30 25 83 20 Web www.bamo.eu
 Fax +33 (0)1 34 10 16 05 E-mail export@bamo.fr

Pressure relief valves
SDD 910

28-10-2019

D-910.01-EN-AA

PLAS

910-01/2

Pressure relief valve SDD 911



- Plastic design, from ND 15 to ND 25
- Protection of pumps and process pipes
- Body: PPG, Glass fiber reinforced polypropylene
- Diaphragm: EPDM, PTFE coated
- Adjustable range: from 0.5 to 10 bar

APPLICATIONS

- Water treatment plants (neutral and aggressive liquids)

DESCRIPTION

The SDD 911 is used to maintain a constant pressure upstream in the event of pressure variation greater than the set pressure..

All wet parts are made of plastic components. The EPDM diaphragm, PTFE coated, separates the mechanical parts from liquid circuit. Seat and O-ring seals are in EPDM or FPM (according to application). All wet parts are in plastics, no external metallic parts, allowing to install SDD 911 in aggressive, corroding ambients.

SDD 911 can be used as a relief pressure valve or as a holding pressure valve. It can be mounted in-line or as a bypass, according the application, in any position.

Caution: Not suitable as a valve with safety function requested in accordance with the EC Pressure Equipment Directive.

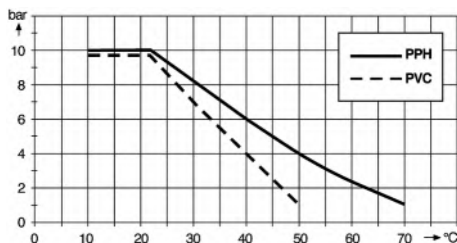


Diagram: Pressure vs. temperature

TECHNICAL FEATURES

Trigger point adjustment from 0.5 to 10 bar by steps of 0.5 bar
Hysteresis About 0.3 bar

Materials:

Body PPG, fiber glass reinforced polypropylene
Diaphragm EPDM, PTFE coated
Seat seal EPDM or FPM
Spring and screws Stainless steel
Fittings PVC unions (solvent welding) or PP (fusion welding)
Pressure 10 bar max. at 20 °C
See also: Diagram Pressure vs. Temperature

Flow-rate max.

ND	Flow-rate (l/h)	Kv (l/h) **
15	2000	2380
20	3500	6160
25	5500	7870

* These upper limits of flow rates correspond to a speed of 3 m/s This speed is a maximum not to be exceeded for plastic devices. Beyond 3 m/s, the valves deteriorate rapidly.

** : Values shown for water at 20 ° C.

Refer to instructions manual to view all the operating curves of the valves according to the nominal diameter.

BAMO INTERNATIONAL

22, Rue de la Voie des Bans · Z.I. de la gare · 95100 ARGENTEUIL
Tel +33 (0)1 30 25 83 20 Web www.bamo.eu
Fax +33 (0)1 34 10 16 05 E-mail export@bamo.fr

Pressure relief valve
SDD 911

12-03-2021

D-911.03-EN-AB

911-03/1

CODE NUMBERS AND REFERENCES

PVC unions for solvent welding - Sealings EPDM or FPM

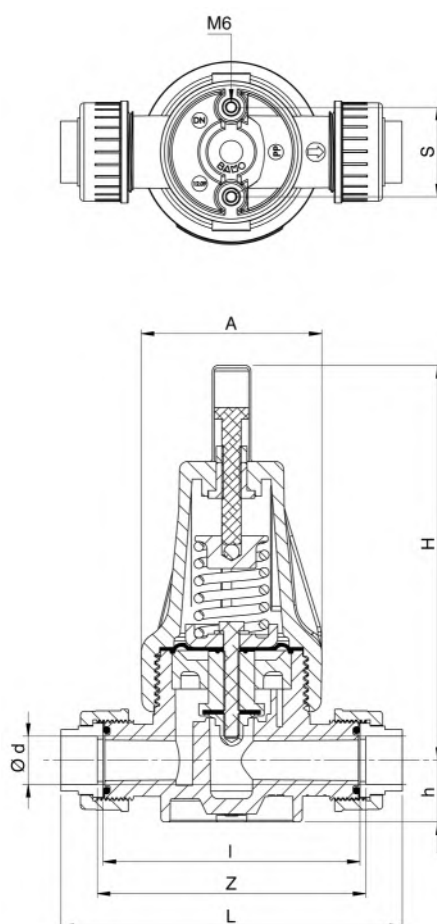
	EPDM sealing	FPM sealing
ND 15	911 002	911 012
ND 20	911 003	911 013
ND 25	911 004	911 014

PPH unions for fusion welding - Sealings EPDM or FPM

	EPDM sealing	FPM sealing
DN 15	911 102	911 112
DN 20	911 103	911 113
DN 25	911 104	911 114

Other fittings on request

DIMENSIONS in mm



DN	d	A	H	h	l	S	Z – PVC / PPH	L – PVC / PPH	Mass (kg)
15	20	80	186	24	112	40	118 / 118	152 / 151	0.53
20	25	94	210	32	132	46.5	138 / 138	176 / 175	0.93
25	32	94	210	32	132	46.5	138 / 138	176 / 175	0.96

BAMO INTERNATIONAL

22, Rue de la Voie des Bans · Z.I. de la gare · 95100 ARGENTEUIL

Tel +33 (0)1 30 25 83 20 Web www.bamo.eu

Fax +33 (0)1 34 10 16 05 E-mail export@bamo.fr

Pressure relief valve
SDD 911

12-03-2021

D-911.03-EN-AB

911-03/2

Pneumatic 3-way ball valves single or double acting VP3V S4-PVC



- PVC Valves from ND 10 up to ND 50
- Pneumatic actuator
Single or double acting
- Position pointer
- Options:
Limit switches box
Pilot valve

DESCRIPTION

These 3-way ball valves, L or T bored, with pneumatic actuator, or single or double acting, are useful for redirecting or to stop the flow of liquids in piping systems. These valves are suitable for applications with aggressive liquids. All operating modes (according bore shapes) are described in the data-sheet da913-20.

TECHNICAL FEATURES

3-way ball valve :

Body	PVC
Seals	EPDM or FPM
Ball	PVC, T or L bored
Ball seat	PTFE
Fittings	Unions , socked-ends for solvent welding
Pressure limit	10 bar

Pneumatic actuator:

Models	Single acting N.O., or single acting N.C., or double acting
Operating pressure	Min.: 6 bar; Max. 8 bar
Fittings	BSP 1/4" female

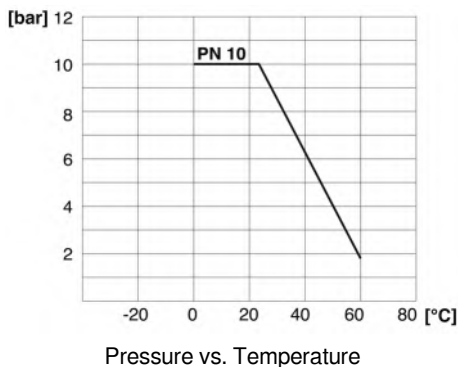
Conformity with NAMUR VDI / VDE 3845 and ISO 5211

Accessories:

(See data-sheet da913-10)

- Limit switches box
- 3/2-way pilot valves for single acting versions
- 5/2-way pilot valves for double-acting version
- Silencer, damper, brass versions

EC Conformity: The instrument meets the legal requirements of the current European Directives.



BAMO INTERNATIONAL

22, Rue de la Voie des Bans · Z.I. de la gare · 95100 ARGENTEUIL
 Tel +33 (0)1 30 25 83 20 Web www.bamo.eu
 Fax +33 (0)1 34 10 16 05 E-mail export@bamo.fr

Pneumatic 3-way ball valves
single or double acting
VP3V S4-PVC

08-11-2019

D-913.02-EN-AA

PLAS

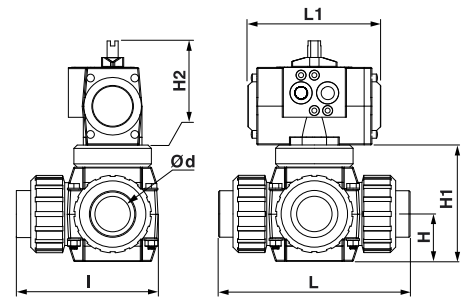
913-02/1

CODE NUMBERS AND REFERENCES

ND	d	Single acting				Double acting			
		Ball L bored		Ball T bored		Ball L bored		Ball T bored	
		EPDM seals	FPM seals	EPDM seals	FPM seals	EPDM seals	FPM seals	EPDM seals	FPM seals
10	16	913 061	913 068	913 103	913 110	913 089	913 096	913 131	913 138
15	20	913 062	913 069	913 104	913 111	913 090	913 097	913 132	913 139
20	25	913 063	913 070	913 105	913 112	913 091	913 098	913 133	913 140
25	32	913 064	913 071	913 106	913 113	913 092	913 099	913 134	913 141
32	40	913 065	913 072	913 107	913 114	913 093	913 100	913 135	913 142
40	50	913 066	913 073	913 108	913 115	913 094	913 101	913 136	913 143
50	63	913 067	913 074	913 109	913 116	913 095	913 102	913 137	913 144

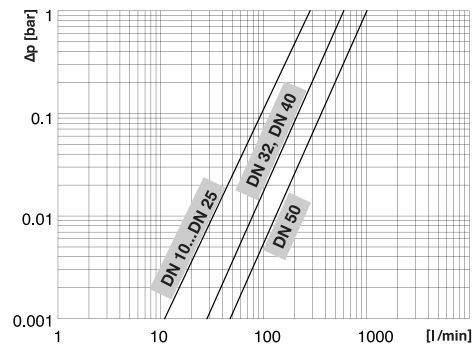
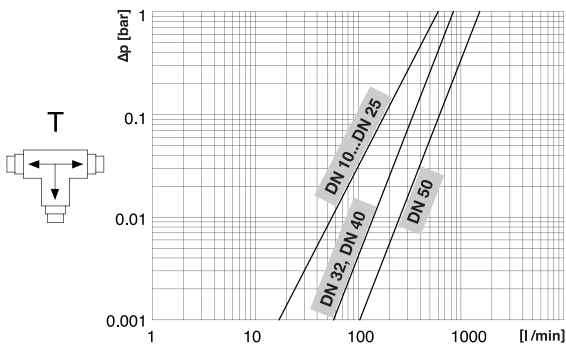
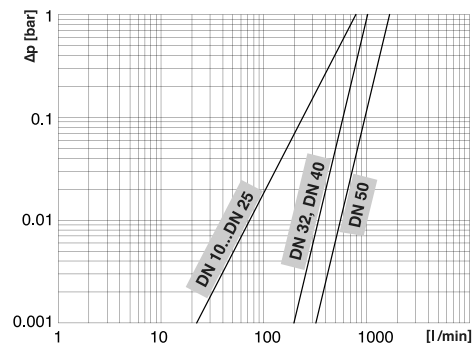
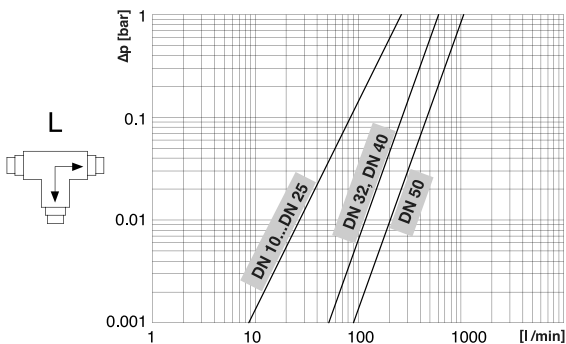
DIMENSIONS [mm]

ND	d	Single acting						Double acting								
		H	H1	H2	L	L1	I	H	H1	H2	L	L1	I			
10	16															
15	20	33	86	91	138	119	95	33	86							
20	25	40	100	112	163	160	116	40	100	91	138	119	116	160	95	
25	32	43	106		169		119	43	106		169		119			
32	40	51	130		222	119	161	51	130		222	161				
40	50	56	155		231	160	166	56	155		231	166				
50	63	64	168		264	175	192	64	168		264	192				



PHYSICAL FEATURES

Pressure drop vs. flow (water at 20 °C)



BAMO INTERNATIONAL

22, Rue de la Voie des Bans · Z.I. de la gare · 95100 ARGENTEUIL
 Tel +33 (0)1 30 25 83 20 Web www.bamo.eu
 Fax +33 (0)1 34 10 16 05 E-mail export@bamo.fr

**Pneumatic 3-way ball valves
 single or double acting
 VP3V S4-PVC**

08-11-2019

D-913.02-EN-AA

PLAS

913-02/2

Pneumatic butterfly valve single or double acting VPP FE-PVC



- PVC valve from ND 50 up to ND 200
- Radial mounting and dismounting
- Pneumatic actuator
 - Single or double acting,
 - Single acting: or N.C., or N.O.
- Position pointer
- **OPTIONS:**
 - Limit switches box
 - Pilot valve

DESCRIPTION

These butterfly valves with pneumatic actuator single acting (or N.C., or N.O.) or double acting, allow stop the flow of liquid in piping system. Wet parts are only the seat, seals and the disk. These valves are suitable for applications even with aggressive liquids.

TECHNICAL FEATURES

Butterfly valve :

Body	PVC
Seat and seals	EPDM
Disk	PVC
Wafer mounting	Between flanges

Pneumatic actuator:

Models	Single acting N.O., or single acting N.C., or double acting
Operating pressure	Min. 6 bar; Max. 8 bar
Fittings	BSPF 1/4" (female)

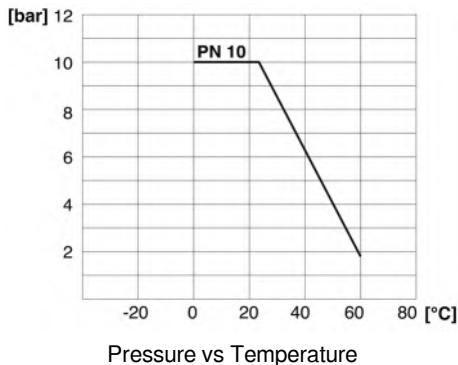
In conformity with **NAMUR VDI/VDE 3845** and **ISO 5211**

Accessories:

(See data-sheet da913-10)

- Limit switches box
- 3/2-way pilot valve for single acting versions
- 5/2-way pilot valves for double-acting version

EC conformity: The instrument meets the legal requirements of the current European Directives.



BAMO INTERNATIONAL

22, Rue de la Voie des Bans · Z.I. de la gare · 95100 ARGENTEUIL
 Tel +33 (0)1 30 25 83 20 Web www.bamo.eu
 Fax +33 (0)1 34 10 16 05 E-mail export@bamo.fr

Pneumatic butterfly valve
 single or double acting
VPP FE-PVC

09-06-2020

D-913.03-EN-AB

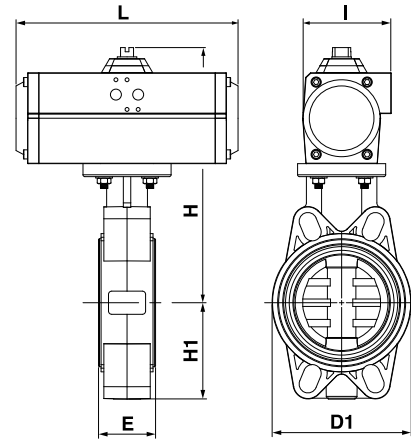
PLAS

913-03/1

CODE NUMBERS AND REFERENCES

ND	d	Single acting N.C.	Single acting N.O.	Double acting
50	63	913 201	913 211	913 221
65	75	913 202	913 212	913 222
80	90	913 203	913 213	913 223
100	110	913 204	913 214	913 224
125	(*) 140	913 205	913 215	913 225
150	160	913 206	913 216	913 226
200	(**) 225	913 207	913 217	913 227

(*): Suitable for ND 125 and Ø 125 mm
 (**): Suitable for DN 200 and Ø 200 mm



DIMENSIONS [mm]

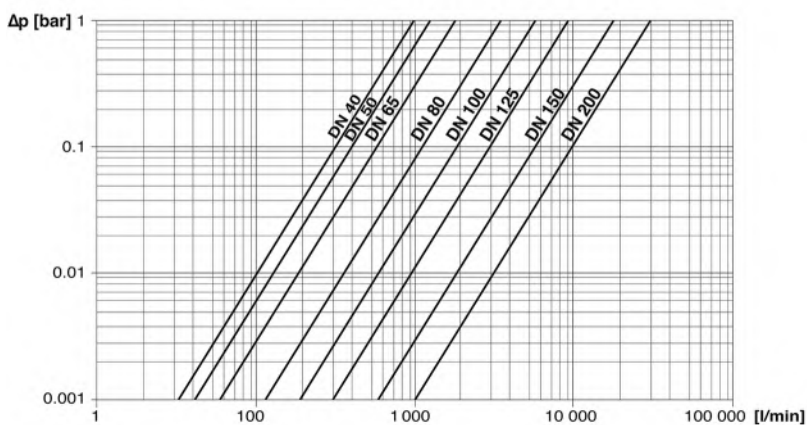
ND	BSP	Single acting (N.O. or N.C.)						Double acting					
		D1	E	I	L	H	H1	D1	E	I	L	H	H1
50	2"	147	43	101	175	236.5	70	147	43	86	160	204	70
65	2 1/2"	165	46	101	175	260	80	165	46	86	160	239	80
80	3"	130	49	138	246	328	90	130	49	101	175	261,5	90
100	4"	150	56	138	246	362	105	150	56	101	175	279	105
125	5"	185	64	138	290	363	121	185	64	96	239	310	121
150	6"	210	70	151		388	132	210	70	138	290	354	132
200	8"	325	71	185	361	475	161	325	71	138	246	423	161

Wafer mounting, tightening torques:

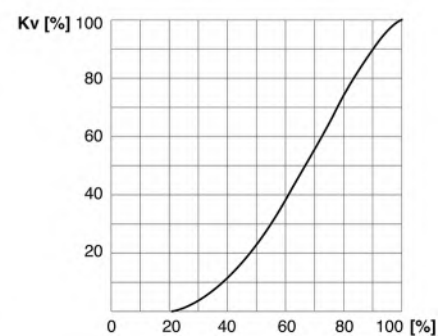
ND 65: 15 N.m	ND 80: 18 N.m	ND 100: 20 N.m	ND 150: 40 N.m	ND 200: 55 N.m
---------------	---------------	----------------	----------------	----------------

PHYSICAL FEATURES

Pressure drop vs. flow (Water at 20 °C)



Kv vs. Opening angle (in %)



Flow Factor Kv (water at 20 °C):

ND 50	ND 65	ND 80	ND 100	ND 125	ND150	ND 200
1,285 l/min	1,700 l/min	3,550 l/min	5,900 l/min	9,850 l/min	18,700 l/min	30,500 l/min

BAMO INTERNATIONAL

22, Rue de la Voie des Bans · Z.I. de la gare · 95100 ARGENTEUIL
 Tel +33 (0)1 30 25 83 20 Web www.bamo.eu
 Fax +33 (0)1 34 10 16 05 E-mail export@bamo.fr

Pneumatic butterfly valve
 single or double acting
VPP FE-PVC

09-06-2020

D-913.03-EN-AB

PLAS

913-03/2

Pneumatically actuated 3-way ball valves, single or double acting VP3V S4-PPH



- PPH valve from ND 10 to ND 50
- Pneumatic actuator
Single or double acting
- Position pointer
- Options:
Limit switches box
Pilot valves

DESCRIPTION

Pneumatically actuated 3-way ball valves, L or T bore, controlled by single or double acting pneumatic actuator, allow many possibilities of controlling the direction of liquid(s) in a piping system. These models are designed for aggressive liquids. Their different operating modes are described in the documentation da 913.20 (Bores L or T).

TECHNICAL FEATURES

3-way ball valve:

Body	PPH
Seals	EPDM or FPM
Ball	PPH, bore L or T1, or T2 or T3
Ball seat	PTFE
Fittings	Union (female ends for fusion welding)
Pressure limit	10 bar

Pneumatic actuator:

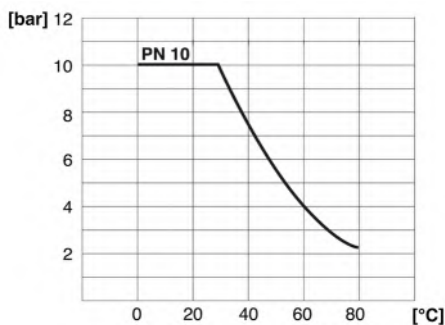
Models	Single acting or N.O. or N.C., or double acting
Operating pressure	Min. 6 bar; Max. 8 bar
Fittings	BSPF 1/4"G (female)
Conformity:	NAMUR VDI/VDE 3845 and ISO 5211

Accessories:

(See data-sheet da913-10)

- Limit switches box
- 3/2-way pilot solenoid valves (for single acting version)
- 5/2-way pilot solenoid valve (for double acting version)
- Exhaust silencer, Brass, 1/4" G

EC Conformity: The instrument meets the legal requirements of the current European Directives.



Pressure vs. Temperature

BAMO INTERNATIONAL

22, Rue de la Voie des Bans · Z.I. de la gare · 95100 ARGENTEUIL
 Tel +33 (0)1 30 25 83 20 Web www.bamo.eu
 Fax +33 (0)1 34 10 16 05 E-mail export@bamo.fr

Pneumatically actuated 3-way ball
valves, single or double acting

VP3V S4-PPH

09-06-2020

D-913.05-EN-AA

PLAS

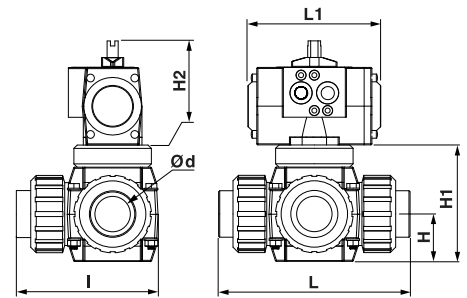
913-05/1

CODE NUMBERS AND REFERENCES

ND	d	Single acting				Double acting			
		Ball L bored		Ball T bored		Ball L bored		Ball T bored	
		EPDM seal	FPM seal	EPDM seal	FPM seal	EPDM seal	FPM seal	EPDM seal	FPM seal
10	16	913 361	913 368	913 403	913 410	913 389	913 396	913 431	913 438
15	20	913 362	913 369	913 404	913 411	913 390	913 397	913 432	913 439
20	25	913 363	913 370	913 405	913 412	913 391	913 398	913 4313	913 440
25	32	913 364	913 371	913 406	913 413	913 392	913 399	913 434	913 441
32	40	913 365	913 372	913 407	913 414	913 393	913 400	913 435	913 442
40	50	913 366	913 373	913 408	913 415	913 394	913 401	913 436	913 443
50	63	913 367	913 374	913 409	913 416	913 395	913 402	913 437	913 444

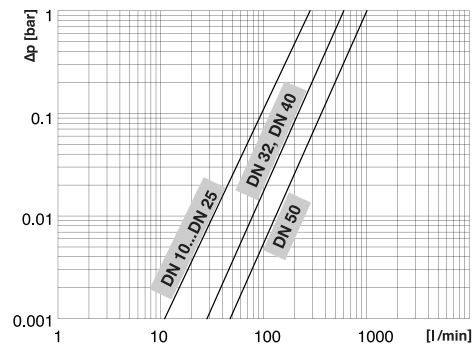
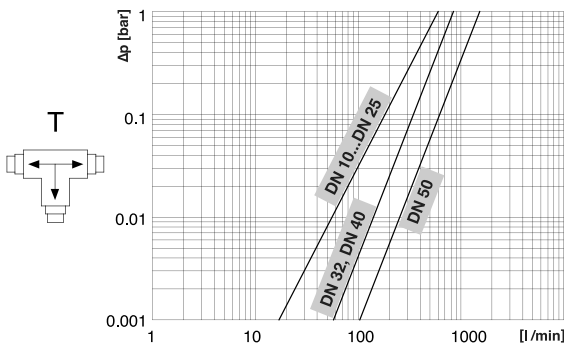
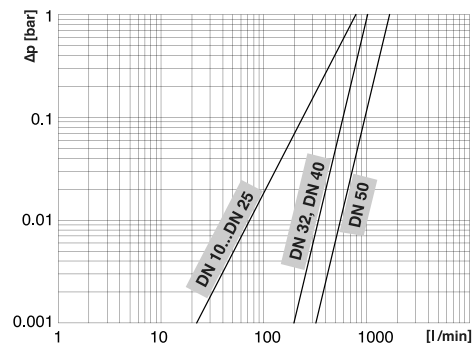
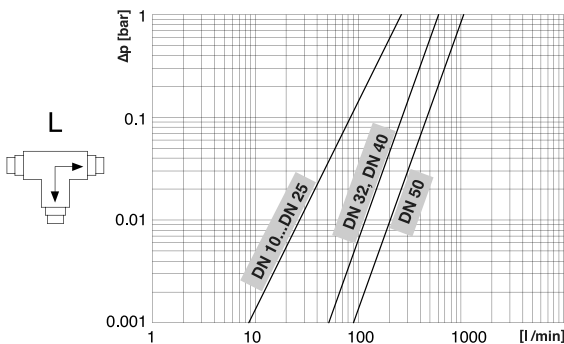
DIMENSIONS [mm]

ND	d	Single acting						Double acting									
		H	H1	H2	L	L1	I	H	H1	H2	L	L1	I				
10	16																
15	20	33	86	91	138	119	95	33	86						138		95
20	25	40	100	112	163	160	116	40	100	91	163	119	160	116	169	166	192
25	32	43	106		169		119	43	106		169			119			
32	40	51	130		222	119	161	51	130		222			161			
40	50	56	155		231	160	166	56	155	231	166						
50	63	64	168		264	175	192	64	168	264	192						



PHYSICAL FEATURES

Pressure drop vs. flow (Water at 20 ° C)



BAMO INTERNATIONAL

22, Rue de la Voie des Bans · Z.I. de la gare · 95100 ARGENTEUIL
 Tel +33 (0)1 30 25 83 20 Web www.bamo.eu
 Fax +33 (0)1 34 10 16 05 E-mail export@bamo.fr

Pneumatically actuated 3-way ball valves, single or double acting

VP3V S4-PPH

09-06-2020

D-913.05-EN-AA

PLAS

913-05/2

Pneumatic butterfly valves, single or double acting VPP K4-PPH



- Valves in PPG from ND 65 up to ND 200
- Radial mounting and dismounting
- Pneumatic actuator
Single or double acting
Status N.C. or N.O.
- Position pointer
- OPTIONS:
Limit switches box
Pilot valve

DESCRIPTION

Pneumatic actuated butterfly valves controlled by pneumatic actuator single acting (N.C. or N.O) or double acting, are useful to allow or to stop the flow of liquids in piping systems. Wet parts are only the seat, seals and the disk. These valves are suitable for applications even with aggressive liquids.

TECHNICAL FEATURES

Butterfly valve :

Body	PP-G (glass-fiber reinforced)
Seat and seals	EPDM or FPM
Disk	PP
Wafer mounting	Between flanges

Pneumatic actuator

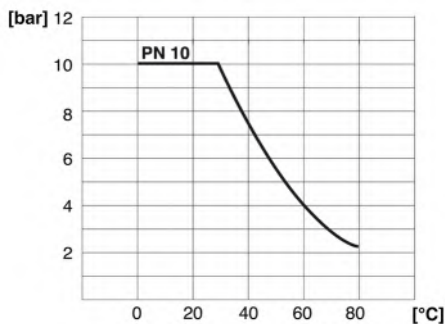
Models	Single acting (or N.O or N.C) versions, or double acting version
Operating pressure	6 bar min., 8 bar max.
Fittings	BSP 1/4" Female

In conformity with directive **NAMUR VDI/VDE 3845 and ISO 5211**

Accessories:

- (See data-sheet da913-10)
- Limit switches box
 - 3/2-way pilot valves (For single acting versions)
 - 5/2-way pilot valves (For double acting version)

EC Conformity: The instrument meets the legal requirements of the current European Directives.



Pressure vs. Temperature

BAMO INTERNATIONAL

22, Rue de la Voie des Bans · Z.I. de la gare · 95100 ARGENTEUIL
 Tel +33 (0)1 30 25 83 20 Web www.bamo.eu
 Fax +33 (0)1 34 10 16 05 E-mail export@bamo.fr

Pneumatic butterfly valves,
single or double acting
VPP K4-PPH

29-06-2020

D-913.06-EN-AA

PLAS

913-06/1

CODE NUMBERS AND REFERENCES

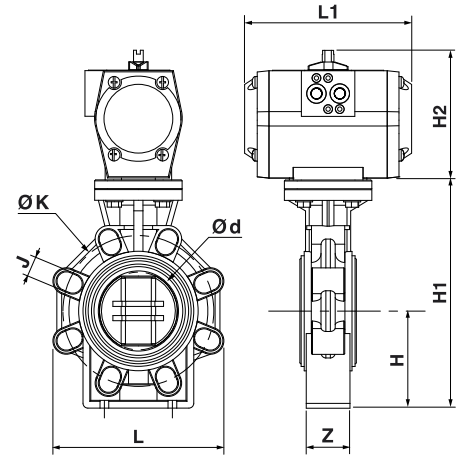
ND	d	Single acting N.C.		Single acting N.O.		Double acting	
		EPDM Seals	FPM seals	EPDM seals	FPM seals	EPDM seals	FPM seals
65	75	913 445	913 450	913 455	913 460	913 465	913 470
80	90	913 446	913 451	913 4556	913 461	913 466	913 471
100	110	913 447	913 452	913 4557	913 462	913 467	913 472
150	160	913 448	913 453	913 4558	913 463	913 468	913 473
200	225	913 449	913 454	913 4559	913 464	913 469	913 474

DIMENSIONS [mm]

ND	d	H	H1	H2	L	L1	Z	K	J
65	75	100	232	111	133	160	46	127 / 145	19
80	90		239	133	176	175	49	146 / 160	
100	110	115	269	143	206	230	56	175 / 190.5	23
150	160	148	333	162	261	239	70	234.5 / 241.5	
200	225	175	395	196	314	246	71	290 / 298.5	

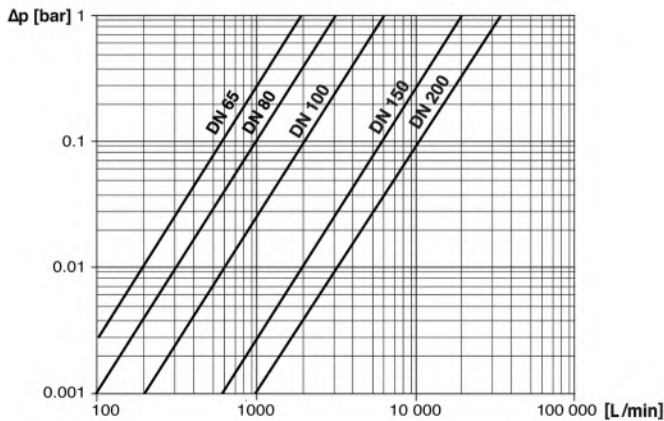
Tightening torques, wafer mounting:

ND 65	ND 80	ND 100	ND 150	ND 200
15 N.m	18 N.m	20 N.m	40 N.m	55 N.m

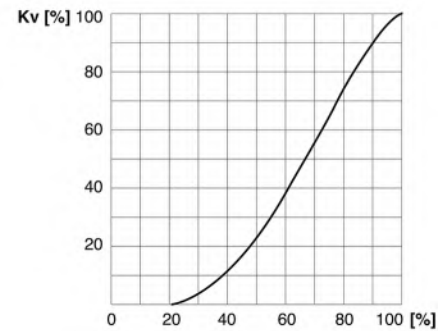


PHYSICAL FEATURES

Pressure drop vs. flow (Water at 20°C)



Kv vs. Opening angle (in %)



Flow Factor (Kv):

ND 65		ND 80		ND 100		ND 150		ND 200	
Pressure drop									
1 bar	0.001 bar	1 bar	0.001 bar	1 bar	0.001 bar	1 bar	0.001 bar	1 bar	0.001 bar
1,900 l/min	60 l/min	3,100 l/min	100 l/min	6,000 l/min	190 l/min	19,000 l/min	600 l/min	35,000 l/min	1,100 l/min

BAMO INTERNATIONAL

22, Rue de la Voie des Bans · Z.I. de la gare · 95100 ARGENTEUIL
 Tel +33 (0)1 30 25 83 20 Web www.bamo.eu
 Fax +33 (0)1 34 10 16 05 E-mail export@bamo.fr

Pneumatic butterfly valves,
 single or double acting
VPP K4-PPH

29-06-2020

D-913.06-EN-AA

PLAS

913-06/2

Pneumatic 3-way ball valves, single or double acting VP3V S4-PVDF



- PVDF Valves from ND 10 up to ND 50
- Pneumatic actuator
Single or double acting
- Position pointer
- Options:
Limit switches box; Pilot valves

DESCRIPTION

Pneumatically actuated 3-way ball valves, bored in L or T, controlled by single or double acting pneumatic actuator, allow many possibilities of controlling the direction of the fluid(s) in a piping system. These valves are suitable for applications even with aggressive liquids. Their different operating modes (bore L, T1, T2 or T3) are described in the documentation 913.20

TECHNICAL FEATURES

3-way ball valve:

Body	PVDF
Seals	FPM
Ball	PVDF
Ball seat	PTFE
Fittings	Unions, socket ends for fusion welding
Pressure limit	10 bar at 20 °C

Pneumatic actuator

Models	Single acting (or N.O., or N.C.), or double acting
Operating pressure	Min. 6 bar; Max. 8 bar
Fittings	BSP-F 1/4"

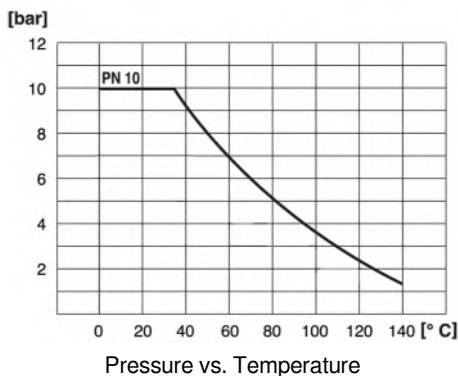
In conformity with directive NAMUR VDI / VDE 3845 and ISO 5211

Accessories:

(see data-sheet 913.10)

- Limit switches box
- 3/2-way pilot valve (For single acting versions)
- 5/2-way pilot valve (For double acting version)
- Exhaust silencer, Brass, BSP 1/4"

EC Conformity: The instrument meets the legal requirements of the current European Directives



BAMO INTERNATIONAL

22, Rue de la Voie des Bans · Z.I. de la gare · 95100 ARGENTEUIL
 Tel +33 (0)1 30 25 83 20 Web www.bamo.eu
 Fax +33 (0)1 34 10 16 05 E-mail export@bamo.fr

Pneumatic 3-way ball valves,
single or double acting
VP3V S4-PVDF

01-07-2020

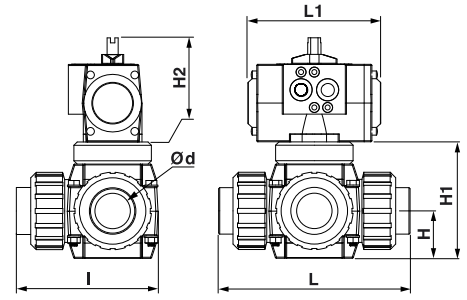
D-913.08-EN-AA

PLAS

913-08/1

CODE NUMBERS AND REFERENCES

ND	d	Single acting		Double acting	
		Ball, L shape	Ball, T shape	Ball, L shape	Ball, T shape
10	16	913 631	913 652	913 645	913 666
15	20	913 632	913 653	913 646	913 667
20	25	913 633	913 654	913 647	913 668
25	32	913 634	913 655	913 648	913 669
32	40	913 635	913 656	913 649	913 670
40	50	913 636	913 657	913 650	913 671
50	63	913 637	913 658	913 651	913 672

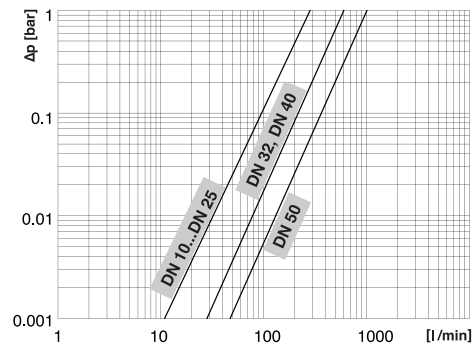
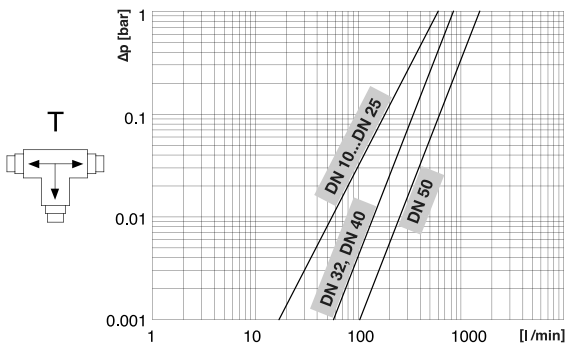
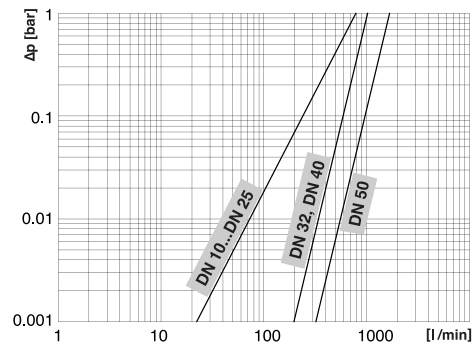
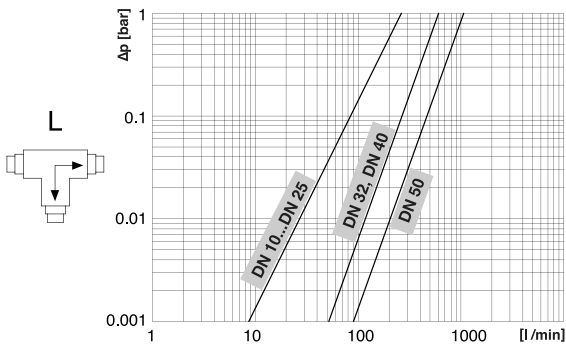


DIMENSIONS [mm]

ND	d	Simple acting						Double acting							
		H	H1	H2	L	L1	I	H	H1	H2	L	L1	I		
10	16	33	86	91	138	119	95	33	86	91	138	119	95		
15	20														
20	25	40	100	112	163	160	116	40	100	91	163	119	116		
25	32	43	106		169		119				43		106	169	119
32	40	51	130		222		119				161		51	130	222
40	50	56	155	132.5	231	160	166	56	155	112	231	160	166		
50	63	64	168		264		175				192		64	168	264

PHYSICAL FEATURES

Pressure drop vs. flow (Water at 20 °C)



BAMO INTERNATIONAL

22, Rue de la Voie des Bans · Z.I. de la gare · 95100 ARGENTEUIL
 Tel +33 (0)1 30 25 83 20 Web www.bamo.eu
 Fax +33 (0)1 34 10 16 05 E-mail export@bamo.fr

**Pneumatic 3-way ball valves,
 single or double acting
 VP3V S4-PVDF**

01-07-2020

D-913.08-EN-AA

PLAS

913-08/2

Pneumatic butterfly valves, single or double acting VPP K4-PVDF



- PVDF valves ND 65 ... ND 200
- Radial mounting and dismounting
- Pneumatic actuator
Single or double acting
Or N.C. or N.O.
- Position pointer
- **OPTIONS:**
Limit switches box
Pilot valve

DESCRIPTION

Butterfly valves controlled by pneumatic actuator single acting (N.C. or N.O) or double acting, are useful to allow or to stop the flow of liquids in piping. Wet parts are the seat, seals and the disk. These valves are suitable for applications even with aggressive liquids.

TECHNICAL FEATURES

Butterfly valve

Body	PP-G (glass-fiber reinforced)
Seat and seals	FPM
Disk	PVDF
Wafer mounting	Between flanges

Pneumatic actuator

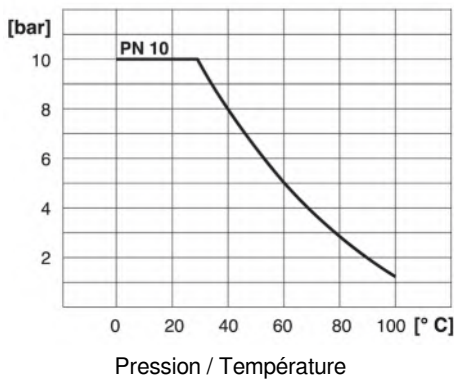
Models	Single acting (or N.O. or N.C.) versions, or double acting version
Operating pressure	Min. 6 bar; Max. 8 bar
Fittings	BSP-F 1/4 "

In conformity with directive NAMUR VDI/VDE 3845 and ISO 5211

Accessories:

- (Sea data-sheet da913.10)
- Limit switches box
 - 3/2-way pilot valves (For single acting versions)
 - 5/2-way pilot valves (For double acting version)

EC Conformity: The instrument meets the legal requirements of the current European Directives



BAMO INTERNATIONAL

22, Rue de la Voie des Bans · Z.I. de la gare · 95100 ARGENTEUIL
 Tel +33 (0)1 30 25 83 20 Web www.bamo.eu
 Fax +33 (0)1 34 10 16 05 E-mail export@bamo.fr

Pneumatic butterfly valves,
single or double acting
VPP K4-PVDF

29-06-2020

D-913.09-EN-AA

PLAS

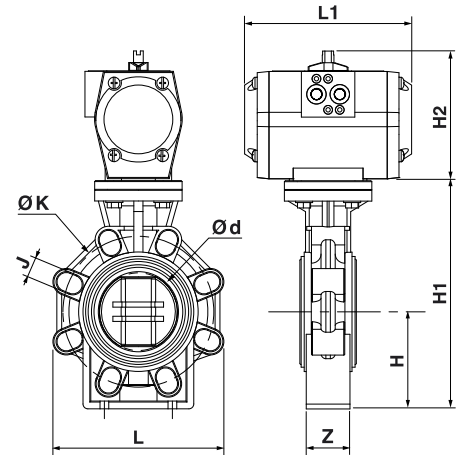
913-09/1

CODE NUMBERS AND REFERENCES

ND	d	Single acting N.C.	Single acting N.O.	Double acting
65	75	913 673	913 678	913 683
80	90	913 674	913 679	913 684
100	110	913 675	913 680	913 685
150	160	913 676	913 681	913 686
200	225	913 677	913 682	913 687

DIMENSIONS [mm]

ND	d	H	H1	H2	L	L1	Z	K	J
65	75	100	232	111	133	160	46	127 / 145	19
80	90		239	133	176	175	49	146 / 160	
100	110	115	269	143	206	230	56	175 / 190.5	23
150	160	148	333	162	261	239	70	234.5 / 241.5	
200	225	175	395	196	314	246	71	290 / 298.5	

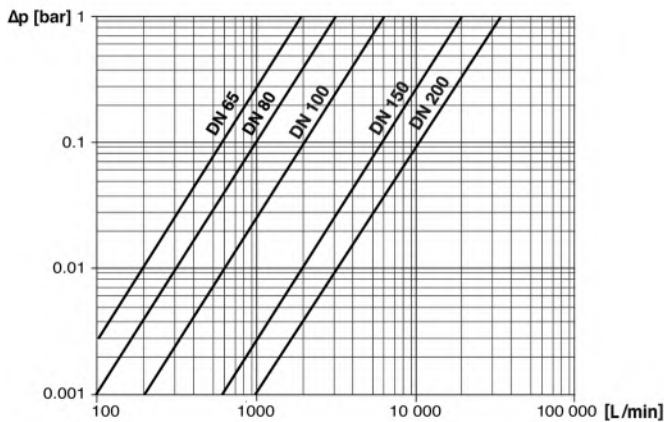


Tightening torques, wafer mounting:

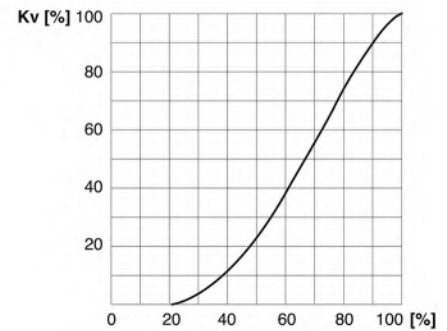
ND 65	ND 80	ND 100	ND 150	ND 200
15 N.m	18 N.m	20 N.m	40 N.m	55 N.m

PHYSICAL FEATURES

Pressure drop vs. flow (water at 20 °c)



Kv vs. Opening angle (in %)



Flow factor (Kv)

ND 65		ND 80		ND 100		ND 150		ND 200	
Pressure drop									
1 bar	0.001 bar	1 bar	0.001 bar	1 bar	0.001 bar	1 bar	0.001 bar	1 bar	0.001 bar
1,900 l/min	60 l/min	3,100 l/min	100 l/min	6,000 l/min	190 l/min	19,000 l/min	600 l/min	35,000 l/min	1,100 l/min

BAMO INTERNATIONAL

22, Rue de la Voie des Bans · Z.I. de la gare · 95100 ARGENTEUIL
 Tel +33 (0)1 30 25 83 20 Web www.bamo.eu
 Fax +33 (0)1 34 10 16 05 E-mail export@bamo.fr

Pneumatic butterfly valves,
 single or double acting
VPP K4-PVDF

29-06-2020

D-913.09-EN-AA

PLAS

913-09/2

Accessories for pneumatic actuators

SV61- BE41



Solenoid valve SV61



Limit switch box BE41

- Pilot solenoid valves
- Limit switches Box
- Exhaust silencers
- Exhaust dampers

APPLICATIONS

Recommended accessories to operate pneumatically actuated valves (see data sheets 913-xx).

DESCRIPTION

- Pilot solenoid valve controls air distribution to the actuator moving the valve.
- Limit switch box BE 41 with its 2 free potential contacts, informs on the valve status.
- Exhaust silencers (Fig. A) are useful to limit noise.
- Exhaust dampers (Fig. B) are useful to increase the operating time of valve and prevent the water hammer effect.

TECHNICAL FEATURES

Pilot solenoid valves: SV61 & SV62

Pilot mode	Electric mode
Mono-stable (type SV61)	3/2 or 5/2 -way
Bi-stable (type SV62)	3/2 or 5/2 -way
Power supply	24 V AC / DC or 220 V DC
Power	3 W / 4,5 VA
Electric connections	DIN Connector, plug
Protection	IP 65
Compressed air fittings	1/4" G
Kv	10.5
Conformity to NAMUR	VDI/VDE 3845 and ISO 5211

Limit switches box BE 41 with 2 free potential contacts

Electric connections	Screw terminals; wires max. 0.5 mm ²
Protection	IP 65
Body	Polymer
Micro-switch	Polyamide
Position indicator	Polymer
Seals	NBR (Nitrile)
Screws	AISI 304

EC Conformity: The devices meet the legal requirements of the current European Directives

CODE NUMBERS AND REFERENCES



Fig. A



Fig. B

Code	Description	Code	Description
913 901	SV61, 1/4" G, 24 V AC	913 907	Limit switches box BE 41
913 902	SV61, 1/4" G, 24 V DC	913 909	Exhaust damper; Brass 1/4" G
913 903	SV61, 1/4" G, 220 V AC	913 910	Exhaust silencer; Brass, 1/4" G
913 904	SV62, 1/4" G, 24 V DC	913 911	Elbow connector 1/4" G / 6 mm
913 905	SV62, 1/4" G, 24 V AC	913 912	Straight connector 1/4" G / 6 mm
913 906	SV62, 1/4" G, 220 V AC		

BAMO INTERNATIONAL

22, Rue de la Voie des Bans · Z.I. de la gare · 95100 ARGENTEUIL
 Tel +33 (0)1 30 25 83 20 Web www.bamo.eu
 Fax +33 (0)1 34 10 16 05 E-mail export@bamo.fr

Accessories for pneumatic actuators
SV61- BE41

26-06-2018

D-913.10-EN-AA

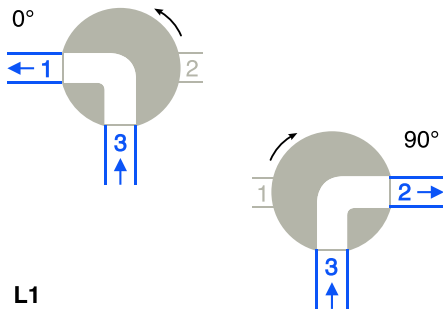
PLAS

913-10/1

Operating modes for 3-way ball valves MF-3V

Our 3-way ball valves are supplied in a standard operating mode according to anti-clockwise movement (rotation 90°)

Operating mode, 3-way ball drilled: L Shape



L1

Mode L1:

Distribution to 2 downstream circuits
1 Inlet; 2 Outlets

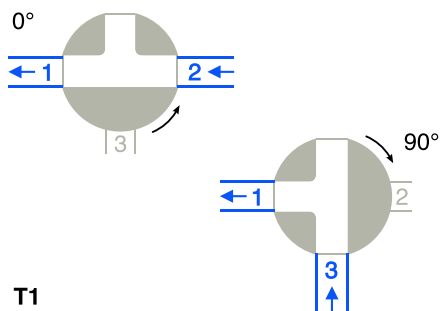
Start at 0°

Inlet: Channel N° 3
Outlet: Channel N° 1

End at 90°

Inlet: Channel N° 3
Outlet: Channel N° 2

Operating mode, 3-way ball drilled: T Shape



T1

Mode T1:

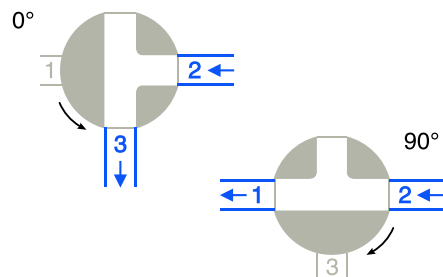
Mixing
2 Inlets; 1 Outlet

Start at 0°

Inlet: Channel N° 2
Outlet: Channel N° 1

End at 90°

Inlet: Channel N° 3
Outlet: Channel N° 1



T2

Mode T2:

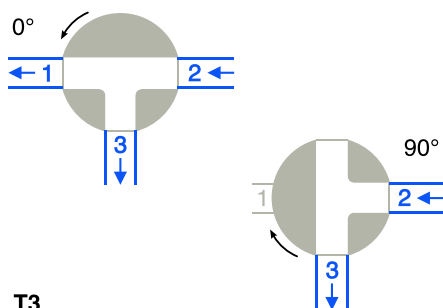
Distribution
1 Inlet; 2 Outlets

Start at 0°

Inlet: Channel N° 2
Outlet: Channel N° 3

End at 90°

Inlet: Channel N° 2
Outlet: Channel N° 1



T3

Mode T3:

Distribution; Direct flow
Start 0°: 1 Inlet; 2 Outlets
End 90°: 1 Inlet; 1 Outlet

Start at 0°

Inlet: Channel N° 2
Outlets: Channel N° 1 & 3

End at 90°

Inlet: Channel N° 2
Outlet: Channel N° 3

BAMO INTERNATIONAL

22, Rue de la Voie des Bans · Z.I. de la gare · 95100 ARGENTEUIL

Tel +33 (0)1 30 25 83 20 Web www.bamo.eu

Fax +33 (0)1 34 10 16 05 E-mail export@bamo.fr

Operating modes for 3-way
ball valves
MF-3V

26-06-2018

D-913.20-EN-AA

PLAS

913-20/1

Pneumatically actuated 2-way ball valves VP2V M1



- PVC-U or PPH or PVDF valves
From ND 10 up to ND 100
- Pneumatic actuator
Single or double acting
- **OPTIONS:**
Limit switches box
Pilot valves

APPLICATIONS

These valves are suitable for applications even with aggressive liquids.

DESCRIPTION

Pneumatically actuated 2-way ball valves controlled by pneumatic actuator single acting (N.C. or N.O) or double acting, are useful to allow or to stop the flow of liquids in piping systems. The PTFE seat of the ball provides this valve with a long service life.

These modular valves receive various accessories for pneumatic actuators, such as limit switches, pilot valves, exhaust silencer and exhaust damper. For complete information on accessories, refer to data sheet da913-10.

TECHNICAL FEATURES

2-way ball valves:

Body	PVC-U, PPH, or PVDF
Seals	EPDM or FPM (With PVDF body: FPM seals only)
Ball	Material identical to the valve body
Ball seat	PTFE
Fittings	Female unions (socket-ends), PVC, PPH or PVDF

Accessories: Mounting bracket for fixing and raising
(Availability: For valves DN 10 to DN 50)

Pneumatic actuators

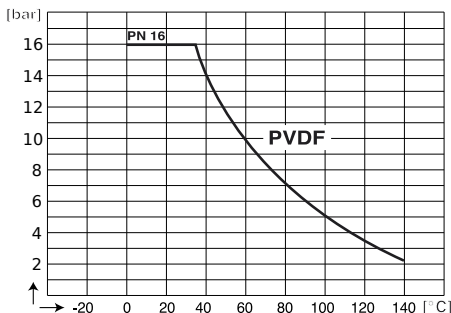
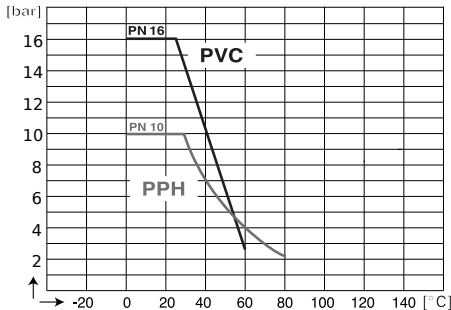
Models	Single acting (N.O. or N.C.) versions, or double acting version
Operating pressure	Min. 6 bar; Max. 8 bar
Fittings	BSP 1/4" G female
Conformity	NAMUR VDI/VDE 3845 and ISO 5211

Accessories:

(See data sheet da 913-10)

- Limit switches box
- 3/2-way pilot valves for single acting version
- 5/2-way pilot valves for double acting version
- Exhaust silencer
- Exhaust damper

EC Conformity: The instrument meets the legal requirements of the current European Directives.



Pressure vs. Temperature

BAMO INTERNATIONAL

22, Rue de la Voie des Bans · Z.I. de la gare · 95100 ARGENTEUIL
Tel +33 (0)1 30 25 83 20 Web www.bamo.eu
Fax +33 (0)1 34 10 16 05 E-mail export@bamo.fr

Pneumatically actuated 2-way
ball valves
VP2V M1

19-11-2019

D-913.21-EN-AA

PLAS

913-21 /1

CODE NUMBERS AND REFERENCES

PVC-U valves — PN 16

ND	d	Single acting N.C.		Single acting N.O.		Double acting	
		EPDM seals	FPM seals	EPDM seals	FPM seals	EPDM seals	FPM seals
10	16	913 001 M	913 011 M	913 021 M	913 031 M	913 041 M	913 051 M
15	20	913 002 M	913 012 M	913 022 M	913 032 M	913 042 M	913 052 M
20	25	913 003 M	913 013 M	913 023 M	913 033 M	913 043 M	913 053 M
25	32	913 004 M	913 014 M	913 024 M	913 034 M	913 044 M	913 054 M
32	40	913 005 M	913 015 M	913 025 M	913 035 M	913 045 M	913 055 M
40	50	913 006 M	913 016 M	913 026 M	913 036 M	913 046 M	913 056 M
50	63	913 007 M	913 017 M	913 027 M	913 037 M	913 047 M	913 057 M
65	75	913 008 M	913 018 M	913 028 M	913 038 M	913 048 M	913 058 M
80	90	913 009 M	913 019 M	913 029 M	913 039 M	913 049 M	913 059 M
100	110	913 010 M	913 020 M	913 030 M	913 040 M	913 050 M	913 060 M

PPH valves — PN 10

ND	d	Single acting N.C.		Single acting N.O.		Double acting	
		EPDM seals	FPM Seals	EPDM seals	FPM seals	EPDM seals	FPM seals
10	16	913 301 M	913 311 M	913 321 M	913 331 M	913 341 M	913 351 M
15	20	913 302 M	913 312 M	913 322 M	913 332 M	913 342 M	913 352 M
20	25	913 303 M	913 313 M	913 323 M	913 333 M	913 343 M	913 353 M
25	32	913 304 M	913 314 M	913 324 M	913 334 M	913 344 M	913 354 M
32	40	913 305 M	913 315 M	913 325 M	913 335 M	913 345 M	913 355 M
40	50	913 306 M	913 316 M	913 326 M	913 336 M	913 346 M	913 356 M
50	63	913 307 M	913 317 M	913 327 M	913 337 M	913 347 M	913 357 M
65	75	913 308 M	913 318 M	913 328 M	913 338 M	913 348 M	913 358 M
80	90	913 309 M	913 319 M	913 329 M	913 339 M	913 349 M	913 359 M
100	100	913 310 M	913 320 M	913 330 M	913 340 M	913 350 M	913 360 M

PVDF valves — PN 16

ND	d	Single acting N.C.	Single acting N.O.	Double acting
		FPM seals	FPM seals	FPM seals
10	16	913 601 M	913 611 M	913 621 M
15	20	913 602 M	913 612 M	913 622 M
20	25	913 603 M	913 613 M	913 623 M
25	32	913 604 M	913 614 M	913 624 M
32	40	913 605 M	913 615 M	913 625 M
40	50	913 606 M	913 616 M	913 626 M
50	63	913 607 M	913 617 M	913 627 M
65	75	913 608 M	913 618 M	913 628 M
80	90	913 609 M	913 619 M	913 629 M
100	110	913 610 M	913 620 M	913 630 M

Mounting accessory (up to ND 50)

Code	Description
141776	Mounting accessory, dual function, for valves M1: ND 10, 15 and 20
141777	Mounting accessory, double function, for valves M1: ND 25, 32, 40 and 50

Detailed information about mounting accessories is on the data sheet da934-04.

BAMO INTERNATIONAL

22, Rue de la Voie des Bans · Z.I. de la gare · 95100 ARGENTEUIL
 Tel +33 (0)1 30 25 83 20 Web www.bamo.eu
 Fax +33 (0)1 34 10 16 05 E-mail export@bamo.fr

Pneumatically actuated 2-way
ball valves
VP2V M1

19-11-2019

D-913.21-EN-AA

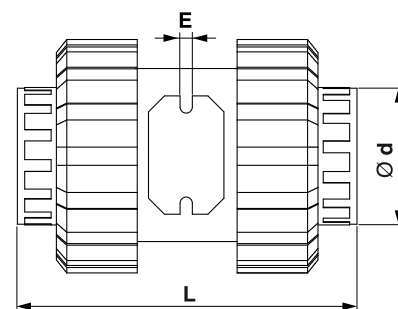
PLAS

913-21 /2

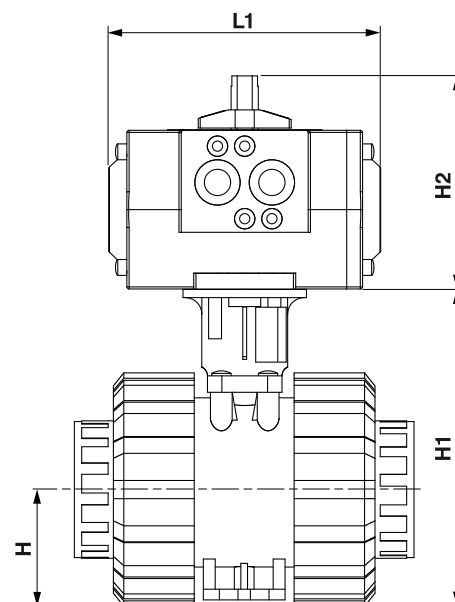
DIMENSIONS [mm]

SE* : Single acting -- DE** : Double acting

PVC-U valves — PN 16						SE*		DE**	
ND	d	H	L	E	H1	L1	H2	L1	H2
10	16	33	83	5.5	113	119	91	119	91
15	20				125.5				
20	25	40	98.5						
25	32	43	106	6.5	131	160	112	160	112
32	40	51	121.5		148				
40	50	56	149		159				
50	63	64	175	8.3	173.5	175	132.5	160	112
65	75	85	211		221.5				
80	90	100	265.5	10.3	259.5	239	112	175	132
100	110		284						



Corps de vanne PP-H — PN 10						SE*		DE**	
ND	d	H	L	E	H1	L1	H2	L1	H2
10	16	33	98.5	5.5	114	119	91	119	91
15	20				126.5				
20	25	40	113						
25	32	43.5	123	6.5	133	160	112	160	112
32	40	51	141		148				
40	50	56.5	164		161				
50	63	64.5	194.5	8.3	176	175	132.5	160	112
65	75	85	231		223.5				
80	90	100	283.5	10.3	268	239	112	175	132
100	110		291.5						



PVDF valves — PN 16						SE*		DE**	
ND	d	H	L	E	H1	L1	H2	L1	H2
10	16	33	98.5	5.5	114	119	91	119	91
15	20				126.5				
20	25	40	113						
25	32	43.5	123	6.5	133	160	112	160	112
32	40	51	141		148				
40	50	56.5	164		161				
50	63	64.5	194.5	8.3	176	175	132.5	160	112
65	75	85	228,8		223.5				
80	90	100	282	10.3	268	239	112	175	132
100	110		251						

BAMO

INTERNATIONAL
 22, Rue de la Voie des Bans · Z.I. de la gare · 95100 ARGENTEUIL
 Tel +33 (0)1 30 25 83 20 Web www.bamo.eu
 Fax +33 (0)1 34 10 16 05 E-mail export@bamo.fr

**Pneumatically actuated 2-way
 ball valves
 VP2V M1**

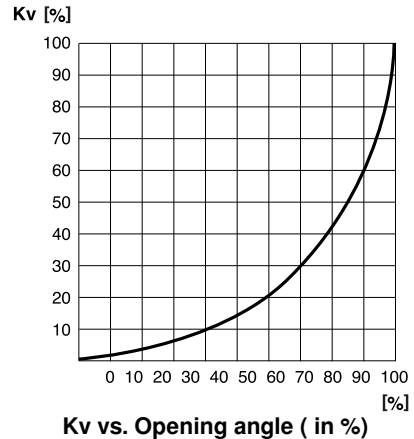
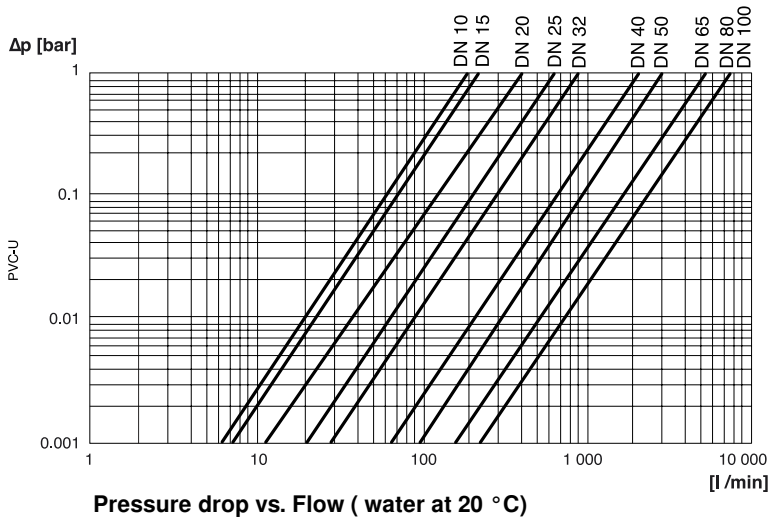
19-11-2019

D-913.21-EN-AA

PLAS

913-21/3

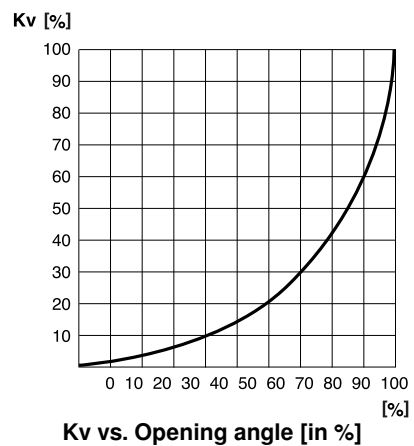
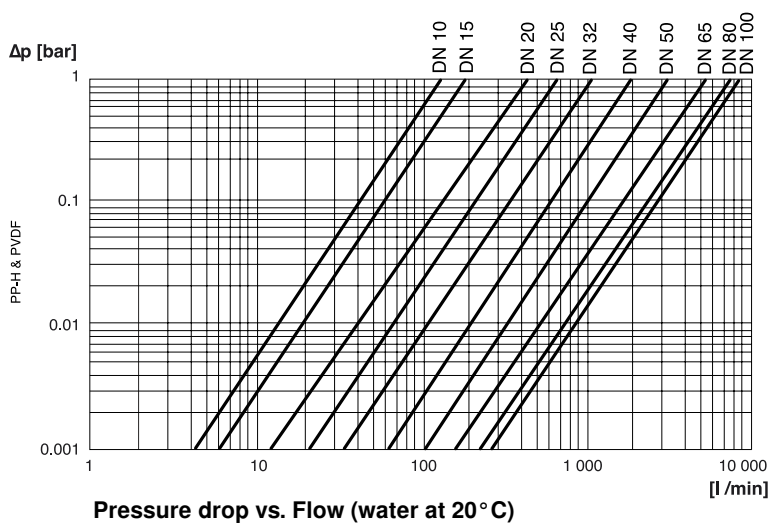
PHYSICAL FEATURES PVC-U Valves



Flow factor: Kv (water at 20 °C)

PVC-U : PN 16	ND 10	ND 15	ND 20	ND 25	ND 32	ND 40	ND 50	ND 65	ND 80	ND 100
	d 16	d 20	d 25	d 32	d 40	d 50	d 63	d 75	d 90	d 110
Pressure drop 1 bar, Q [l/min]	198	225	400	630	900	2120	3000	5150	7600	
Pressure drop 1 mbar, Q [l/min]	6.2	7.1	12.6	19.9	28.4	67	94.8	162.8	240.3	

PHYSICAL FEATURES — PP-H & PVDF valves



Flow factor Kv (water at 20 °C)

PP-H: PN 10	ND 10	ND 15	ND 20	ND 25	ND 32	ND 40	ND 50	ND 65	ND 80	ND 100
PVDF: PN 16	d 16	d 20	d 25	d 32	d 40	d 50	d 63	d 75	d 90	d 110
Pressure drop 1 bar, Q [l/min]	130	190	440	650	1080	1980	3240	5200	7500	8850
Pressure drop 1 mbar, Q [l/min]	4.1	6.0	13.9	20.6	34.2	62.6	102.5	164.4	237.1	279.8

913

913

BAMO INTERNATIONAL
 22, Rue de la Voie des Bans · Z.I. de la gare · 95100 ARGENTEUIL
 Tel +33 (0)1 30 25 83 20 Web www.bamo.eu
 Fax +33 (0)1 34 10 16 05 E-mail export@bamo.fr

Pneumatically actuated 2-way ball valves
VP2V M1
 19-11-2019 D-913.21-EN-AA

PLAS
913-21 /4

Electrically actuated 3-way ball valves VE3V S4-PVC



- PVC ball valves ND 10 to ND 50
- In-line pattern
- Electric actuator, position index, manual emergency action

DESCRIPTION

Electrically actuated 3-way ball valves are useful to distribute or to mix liquids. These valves are designed for aggressive liquids; Assistance with manual operation for maintenance or emergency (with position index). Actuator power supply is switched off before a manual operation. Operating modes: see data-sheet D-913.20.

TECHNICAL FEATURES

3-way ball valve:

Body	PVC
Sealing	EPDM or FPM
Ball shape T or L	PVC
Seat seals	PTFE
Process connections	Unions (sockets; for solvent welding)
Pressure limit	10 bar

Electric actuator

Operation	90°
Emergency operation	Manual operating
Duty rating	30 %
Protection	IP 65
Electrical connections	1 cable gland ISO M20 DIN 43650 plug; 3-wire + earth
Power	15 W
Power supply	100 ... 240 V AC - 50/60 Hz and 100 ... 350 V DC or 24 V AC - 50/60 Hz and 24 V DC

OPTIONS *On request*

EC Conformity: The device meets the legal requirements of the current European Directives.

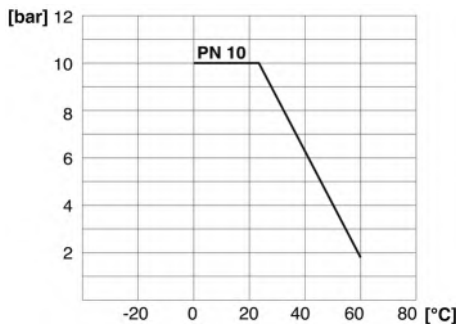


Diagram: Pressure vs. Temperature

BAMO INTERNATIONAL

22, Rue de la Voie des Bans · Z.I. de la gare · 95100 ARGENTEUIL
Tel +33 (0)1 30 25 83 20 Web www.bamo.eu
Fax +33 (0)1 34 10 16 05 E-mail export@bamo.fr

Electrically actuated 3-way
ball valves
VE3V S4-PVC

15-11-2019

D-914.02-EN-AE

PLAS

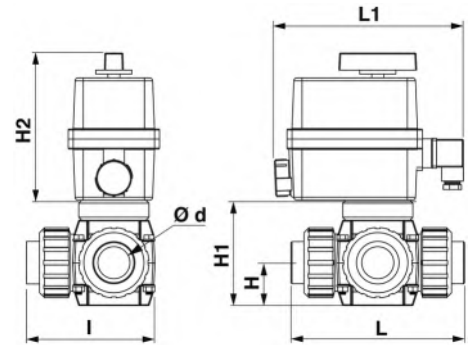
914-02/1

CODE NUMBERS AND REFERENCES

DN	d	L shape				T shape			
		24 V AC & 24 V DC		100 ... 240 V AC & 100 ... 350 VDC		24 V AC & 24 V DC		100 ... 240 V AC & 100 ... 350 VDC	
		EPDM sealing	FPM sealing	EPDM sealing	FPM sealing	EPDM sealing	FPM sealing	EPDM sealing	FPM sealing
10	16	914 041	914 048	914 055	914 062	914 069	914 076	914 083	914 090
15	20	914 042	914 049	914 056	914 063	914 070	914 077	914 084	914 091
20	25	914 043	914 050	914 057	914 064	914 071	914 078	914 085	914 092
25	32	914 044	914 051	914 058	914 065	914 072	914 079	914 086	914 093
32	40	914 045	914 052	914 059	914 066	914 073	914 080	914 087	914 094
40	50	914 046	914 053	914 060	914 067	914 074	914 081	914 088	914 095
50	63	914 047	914 054	914 061	914 068	914 075	914 082	914 089	914 096

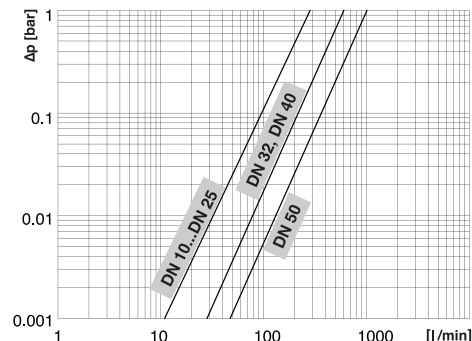
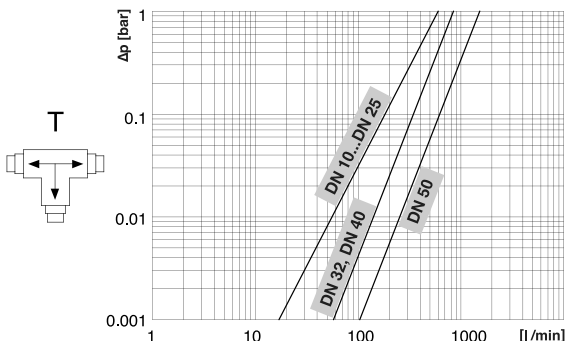
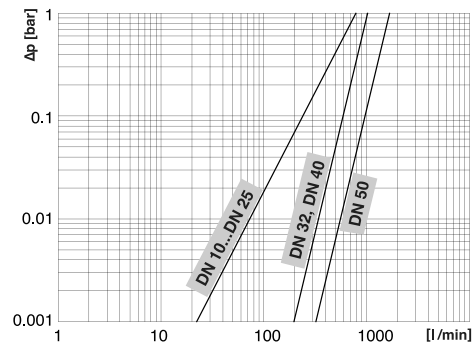
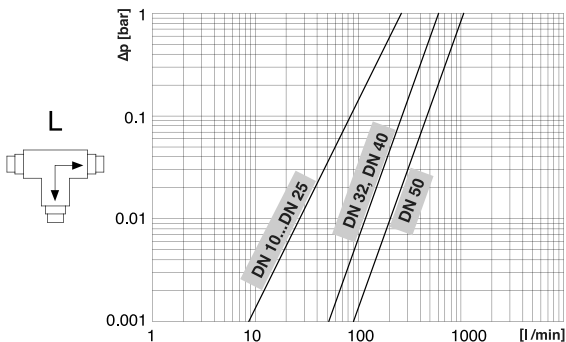
DIMENSIONS (mm)

DN	d	H	H1	H2	L	L1	I	
10	16	33	86	148	138	190	95	R20
15	20				163			
20	25	169						
25	32	222						
32	40	231						
40	50	264						
50	63							



PRESSURE LOSS

Diagram: Pressure loss vs. Flow (at 20 °C)



BAMO INTERNATIONAL

22, Rue de la Voie des Bans · Z.I. de la gare · 95100 ARGENTEUIL
 Tel +33 (0)1 30 25 83 20 Web www.bamo.eu
 Fax +33 (0)1 34 10 16 05 E-mail export@bamo.fr

Electrically actuated 3-way
 ball valves
VE3V S4-PVC

15-11-2019

D-914.02-EN-AE

PLAS

914-02/2

Electrically actuated butterfly valves VEP FE-PVC



- PVC Valve from ND 50 up to ND 200
- In-line pattern
- Electric actuator; Position index; Manual operating for emergency

DESCRIPTION

These valves operated through an electric actuator, allow or prohibit the passage of fluid in a piping system. Only sealing and butterfly are in contact with the liquid.

These valves are designed for aggressive liquids, they include a position index and are manually operated for maintenance or emergency.

TECHNICAL FEATURES

Butterfly valves:

Body	PVC
Sealing	EPDM
Butterfly	PVC
Mounting	Wafer (between flanges)
Pressure limit	10 bar at 20 °C

Electric actuators:

Control	On/Off mode and 3-points modulating mode
Rotation	90°
Manual override	Manual override knob
Limit switches	2 Adjustable contacts (max. 5A)

Actuators specific features for ND 50 to 125

Multi-voltage power supplies	100 ... 240 V AC 50/60 Hz; 100 ... 350 V DC 24 V AC 50/60 Hz; 24 V DC
Consumption	15 W (ND 50); 45 W (ND 65 to 125)
Duty cycle	30% (CEI34)
Protection	IP 65
Electrical connections	1 cable gland ISO M20 and 1 DIN 43650 plug; 3-wire + earth

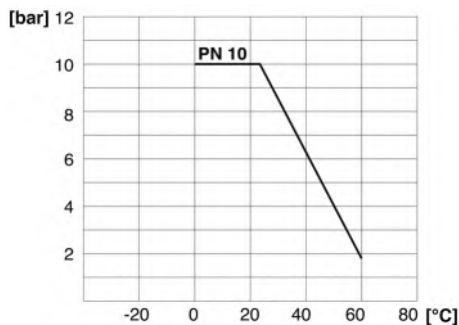
Actuators specific features for ND 150 to 200

Multi-voltage power supplies	100 ... 240 V AC 50/60 Hz; 100 ... 350 V DC 15 ... 30 V AC 50/60 Hz; 12 ... 48 V DC
Consumption	45 W
Duty cycle	50% (CEI34)
Protection	IP 68
Electrical connections	2 cable glands ISO M20

Options:

Fail safe version (back to position 0° in case of power failure).

EC Conformity: The instrument meets the legal requirements of the current European Directives.



Pressure vs. Temperature

BAMO INTERNATIONAL

22, Rue de la Voie des Bans · Z.I. de la gare · 95100 ARGENTEUIL
Tel +33 (0)1 30 25 83 20 Web www.bamo.eu
Fax +33 (0)1 34 10 16 05 E-mail export@bamo.fr

Electrically actuated butterfly
valves
VEP FE-PVC

17-10-2019

D-914.03-EN-AD

PLAS

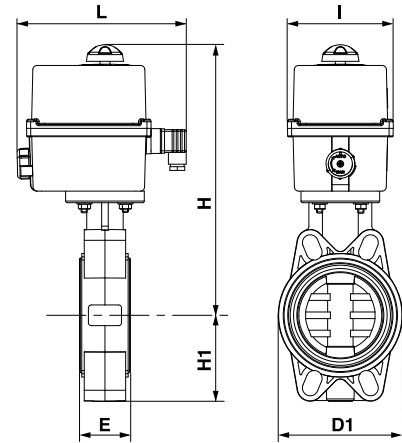
914-03/1

CODE NUMBERS AND REFERENCES

DN	d	24 V AC; 24 V DC	90 ... 240 V AC; 90 ... 350 V DC
50	63	914 251	914 261
65	75	914 252	914 262
80	90	914 253	914 263
100	110	914 254	914 264
125	140*	914 255	914 265
		15 ... 30 V AC; 12 ... 48 V DC	
150	160	914 256	914 266
200	225**	914 257	914 267

* : Convenient for ND 125 ; Ø 125 mm

** : Convenient for ND 200; Ø 200



DIMENSIONS [mm]

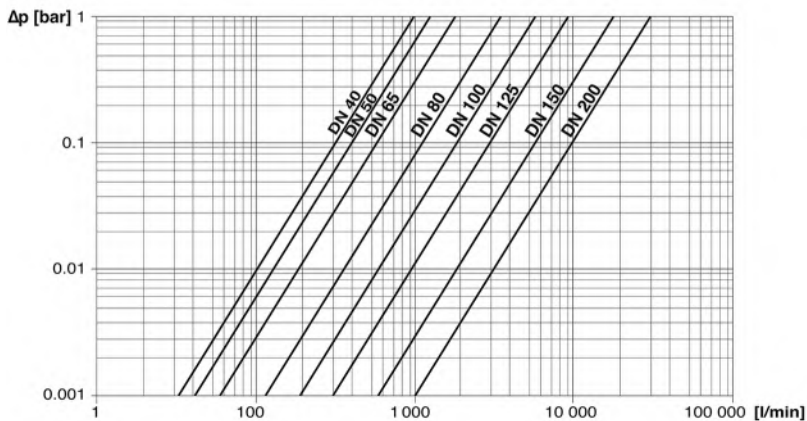
ND	NB	D1	E	I	L	H	H1	
50	2"	147	43	92	193	255	70	R60
65	2 ½"	165	46	92	193	280	80	
80	3"	130	49	128	208	308	90	
100	4"	150	56	128	208	323	105	R100
125	5"	185	64	128	208	343	101	S150
150	6"	210	70	170	275	438	132	
200	8"	325	71	170	275	485	161	

Tightening torques wafer mounting:

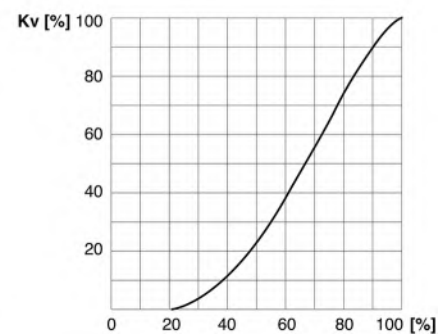
ND 65: 15 Nm	ND 80: 18 Nm	ND 100: 20 Nm	ND 150: 40 Nm	ND 200: 55 Nm
--------------	--------------	---------------	---------------	---------------

SPECIFIC FEATURES

Pressure drop vs. Flow-rate (water at 20 °C)



Kv vs. % of opening angle



Kv factor (water at 20 °C):

ND 40	ND 50	ND 65	ND 80	ND 100	ND 125	ND 150	ND 200
1,000 l/min	1,285 l/min	1,700 l/min	3,550 l/min	5,900 l/min	9,850 l/min	18,700 l/min	30,500 l/min

BAMO INTERNATIONAL

22, Rue de la Voie des Bans · Z.I. de la gare · 95100 ARGENTEUIL

Tel +33 (0)1 30 25 83 20 Web www.bamo.eu

Fax +33 (0)1 34 10 16 05 E-mail export@bamo.fr

Electrically actuated butterfly valves
VEP FE-PVC

17-10-2019

D-914.03-EN-AD

PLAS

914-03/2

Electric 3-way ball valves VE3V S4-PPH



- PPH valves from ND 10 up to ND 50
- Radial mounting and dismounting
- Electric actuator with pointer and emergency manual override

DESCRIPTION

Electrically actuated 3-way ball valves allow many possibilities of controlling the direction of the fluid(s) in a piping system. These valves are suitable for applications with aggressive liquids, with a pointer, with a manual operating for emergency. Actuator power supply is switched off before a manual operation. All operating modes (according ball bores) are described in the data-sheet 913-20.

TECHNICAL FEATURES

3-way ball valve:

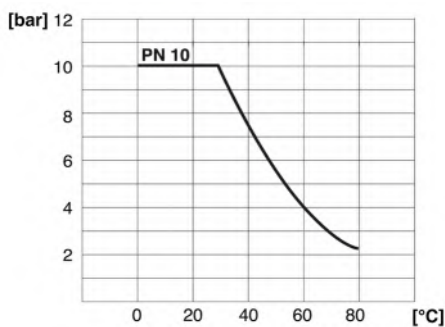
Body	PPH
Seals	EPDM or FPM
Ball bores in L or T	PPH
Ball seat	PTFE
Fittings	Unions (socket ends; for fusion welding)
Pressure limit	10 bar at 20 °C

Electric actuator:

Emergency operation	Manual operating
Duty rating	30 %
Protection	IP 65
Connections	1 Cable gland M20 - ISO 1 connector 3 poles + ground, DIN 43650
Consumption	15 W
Multi-voltage power supplies	Or 100 ... 240 V AC and 100 ... 350 V DC Or 24 V AC 50/60 Hz and 24 V DC

OPTIONS *On request*

EC Conformity: The instrument meets the legal requirements of the current European Directives.



Pressure vs. Temperature

BAMO INTERNATIONAL

22, Rue de la Voie des Bans · Z.I. de la gare · 95100 ARGENTEUIL
 Tel +33 (0)1 30 25 83 20 Web www.bamo.eu
 Fax +33 (0)1 34 10 16 05 E-mail export@bamo.fr

Electric 3-way ball valves
VE3V S4-PPH

01-07-2020

D-914.05-EN-AA

PLAS

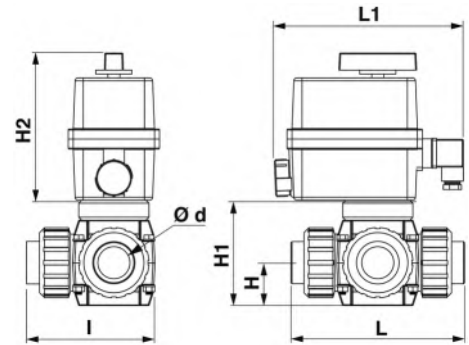
914-05/1

CODE NUMBERS AND REFERENCES

ND	d	Ball, L shape				Ball, T shape			
		24 V AC & 24 V DC		100 ... 240 V AC & 100 ... 350 V DC		24 V AC & 24 V DC		100 ... 240 V AC & 100 ... 350 V DC	
		EPDM seals	FPM seals	EPDM seals	FPM seals	EPDM seals	FPM seals	EPDM seals	FPM seals
10	16	914 341	914 348	914 355	914 362	914 369	914 376	914 383	914 390
15	20	914 342	914 349	914 356	914 363	914 370	914 377	914 384	914 391
20	25	914 343	914 350	914 357	914 364	914 371	914 378	914 385	914 392
25	32	914 344	914 351	914 358	914 365	914 372	914 379	914 386	914 393
32	40	914 345	914 352	914 359	914 366	914 373	914 380	914 387	914 394
40	50	914 346	914 353	914 360	914 367	914 374	914 381	914 388	914 395
50	63	914 347	914 354	914 361	914 368	914 375	914 382	914 389	914 396

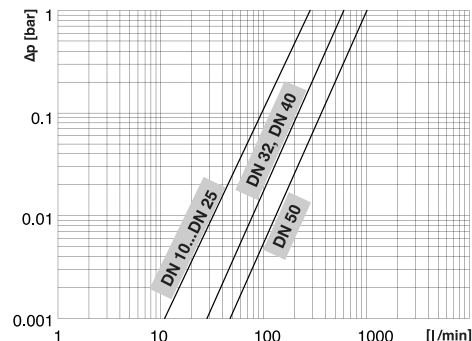
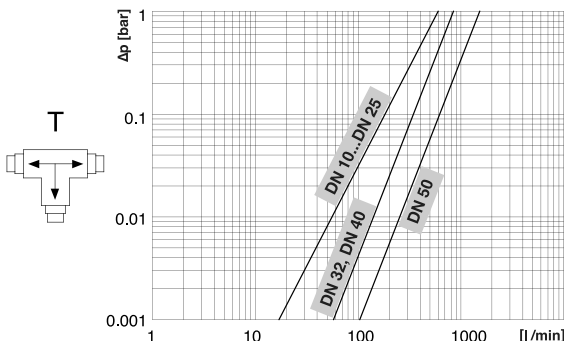
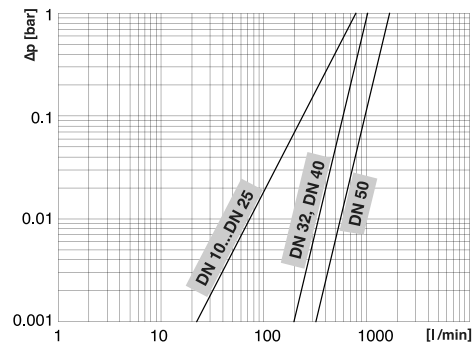
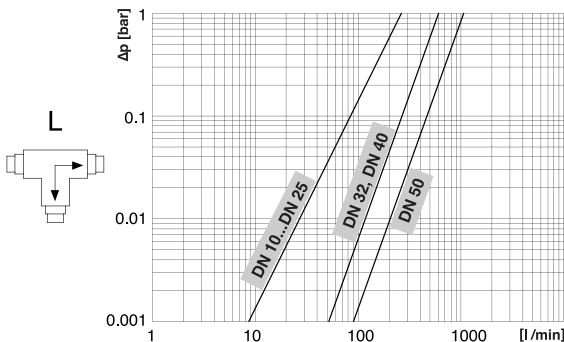
DIMENSIONS [mm]

ND	d	H	H1	H2	L	L1	I
10	16	33	86	148	138	190	95
15	20						
20	25	40	100		163		116
25	32	43	106		169		119
32	40	51	130		222		161
40	50	56	155		231		166
50	63	64	168		264		192



PHYSICAL FEATURES

Pressure drop vs. flow (Water 20°C)



BAMO INTERNATIONAL

22, Rue de la Voie des Bans · Z.I. de la gare · 95100 ARGENTEUIL
 Tel +33 (0)1 30 25 83 20 Web www.bamo.eu
 Fax +33 (0)1 34 10 16 05 E-mail export@bamo.fr

Electric 3-way ball valves
VE3V S4-PPH

01-07-2020

D-914.05-EN-AA

PLAS

914-05/2

Electric butterfly valve VEP K4-PPH



- PPH valves from ND 50 up to ND 200
- Radial mounting and dismounting
- Electric actuator with pointer and emergency manual override

DESCRIPTION

Electrically actuated butterfly valves are useful to allow or to stop the flow of liquids in piping systems. Wet parts are only the seat, seals and the disk.

These valves are suitable for applications with aggressive liquids, with a pointer, with a manual operating for emergency.

TECHNICAL FEATURES

Butterfly valve:

Body	PP-GF
Seals and seat	EPDM or FPM
Disk	PPH
Wafer mount	Between flanges

Electric actuators:

Operating mode	On-Off mode or 3-points modulating mode
Movement	90°
Emergency override	Manual
Contacts	2 Adjustable limit switches (max. 5A)

Features for ND65 up to ND 125

Multi-voltage power supplies	Or 100 ... 240 V AC 50/60 Hz and 100 ... 350 V DC Or 24 V AC 50/60 Hz and 24 V DC
Consumption	45 W
Duty rating	30 % (Norme IEC34)
Protection	IP 65
Connections	1 Cable gland M20 - ISO 1 connector 3-pole + ground, DIN 43650

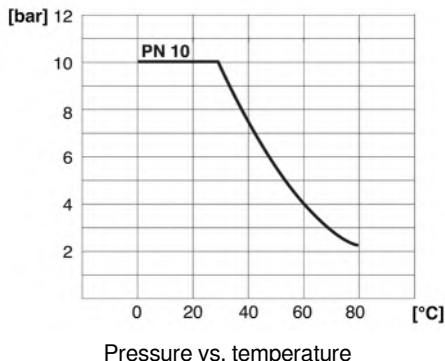
Features for ND 150 up to ND 200

Multi-voltage power supplies	Or 100 ... 240 V AC 50/60 Hz and 100 ... 350 V DC Or 15 ... 30 V AC and 12 ... 48 V DC
Consumption	45 W
Duty rating	50 % (Norme IEC34)
Protection	IP 68
Connections	2 Cable glands M20 - ISO

Options:

Back to 0° in case of power failure

EC Conformity: The instrument meets the legal requirements of the current European Directives



BAMO INTERNATIONAL

22, Rue de la Voie des Bans · Z.I. de la gare · 95100 ARGENTEUIL
Tel +33 (0)1 30 25 83 20 Web www.bamo.eu
Fax +33 (0)1 34 10 16 05 E-mail export@bamo.fr

Electric butterfly valve
VEP K4-PPH

01-07-2020

D-914.06-EN-AA

PLAS

914-06/1

CODE NUMBERS AND REFERENCES

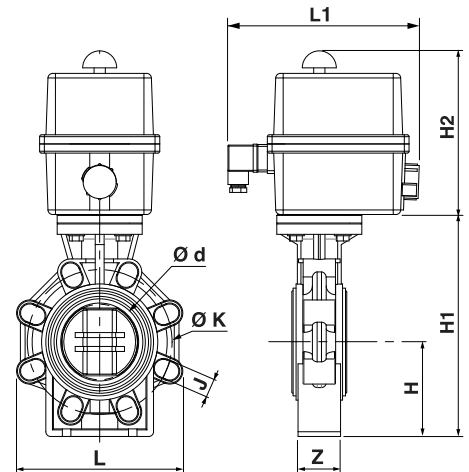
ND	d	24 V AC & 24 V DC		100...240 V AC & 100...350 V DC	
		EPDM seals	FPM seals	EPDM seals	FPM seals
65	75	914 397	914 402	914 407	914 412
80	90	914 398	914 403	914 408	914 413
100	110	914 399	914 404	914 409	914 414
15...30 V AC & 12...48 V DC					
150	160	914 400	914 405	914 410	914 415
200	225	914 401	914 406	914 411	914 416

DIMENSIONS

ND	d	H	H1	H2	L	L1	Z	K	J	
65	75	100	232	177	133	205	46	127 / 145	19	R60
80	90		239		176		49	146 / 160		R100
100	110		269		206		56	175 / 190.5		
150	160	148	333	258	261	275	70	234.5 / 241.5	23	S300
200	225	175	395		314	276	71	290 / 298.5		

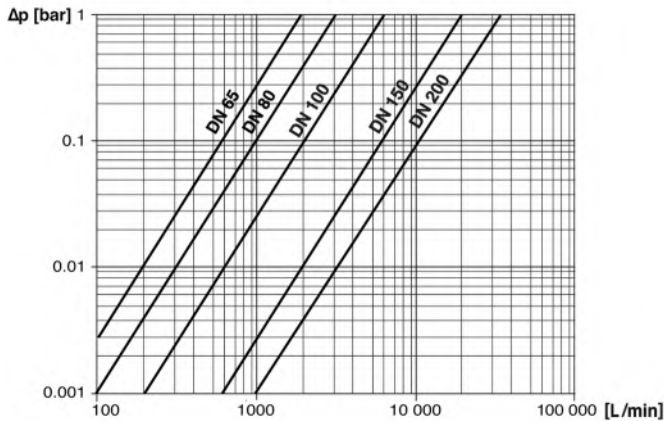
Tightening torques wafer mounting:

ND 65	ND 80	ND 100	ND 150	ND 200
15 N.m	18 N.m	20 N.m	40 N.m	55 N.m

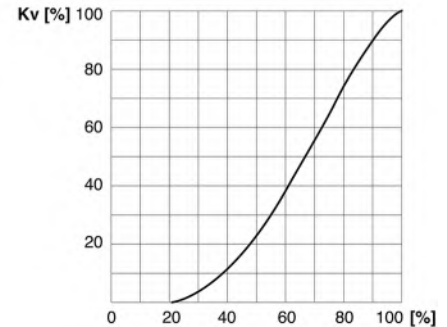


PHYSICAL FEATURES

Pressure drop vs. flow (Water at 20°C)



Kv vs. Opening angle (in %)



Flow Factor (Kv):

ND 65		ND 80		ND 100		ND 150		ND 200	
Pressure drop									
1 bar	0.001 bar	1 bar	0.001 bar	1 bar	0.001 bar	1 bar	0.001 bar	1 bar	0.001 bar
1900 l/min	60 l/min	3100 l/min	100 l/min	6000 l/min	190 l/min	19000 l/min	600 l/min	35000 l/min	1100 l/min

BAMO INTERNATIONAL

22, Rue de la Voie des Bans · Z.I. de la gare · 95100 ARGENTEUIL
 Tel +33 (0)1 30 25 83 20 Web www.bamo.eu
 Fax +33 (0)1 34 10 16 05 E-mail export@bamo.fr

Electric butterfly valve
VEP K4-PPH

01-07-2020

D-914.06-EN-AA

PLAS

914-06/2

Electrically actuated 3-way PVDF ball valves VE3V S4-PVDF



- PVDF valves from ND10 up to ND50
- Radial mounting and dismounting
- Electric actuator with position pointer and manual operating for emergency

DESCRIPTION

These 3-way ball valves, with electric actuator, are useful for redirecting or to stop the flow of liquids in piping systems. These valves are designed for aggressive liquids; Assistance with manual operation for maintenance or emergency (plus position pointer).

Actuator power supply is switched off before a manual operation. Operating modes, bore shapes L or T: see data-sheet da913-20.

TECHNICAL FEATURES

3-way ball valves:

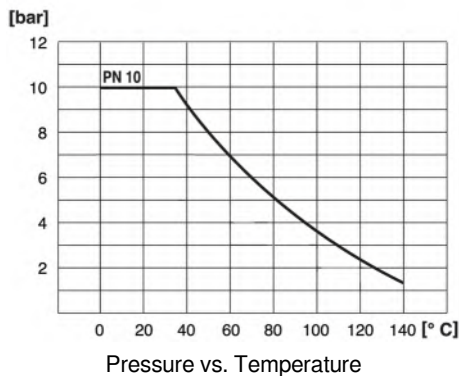
Body	PVDF
Seals	FPM
Ball, T or L bore shape	PVDF
Ball seat	PTFE
Fittings	Unions, socket ends for fusion welding
Pressure limit	10 bar

Electric actuators:

Emergency operation	Manual operating
Duty rating	30 %
Protection	IP 65
Connections	1 cable gland ISO M20 DIN 43650 plug; 3-wire + earth
Consumption	15 W
Power supply	100 ... 240 V AC 50/60 Hz and 100 ... 350 V DC or 24 V AC 50/60 Hz and 24 V DC

OPTIONS *On request*

EC Conformity: The instrument meets the legal requirements of the current European Directives.

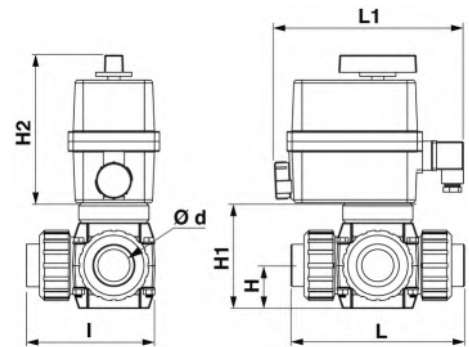


CODE NUMBERS AND REFERENCES

ND	d	Ball bore L	Ball bore T	Ball bore L	Ball bore T
		24 V AC and 24 V DC		100 ... 240 V AC and 100 ... 350 V DC	
10	16	914 621	914 635	914 628	914 642
15	20	914 622	914 636	914 629	914 643
20	25	914 623	914 637	914 630	914 644
25	32	914 624	914 638	914 631	914 645
32	40	914 625	914 639	914 632	914 646
40	50	914 626	914 640	914 633	914 647
50	63	914 627	914 641	914 634	914 648

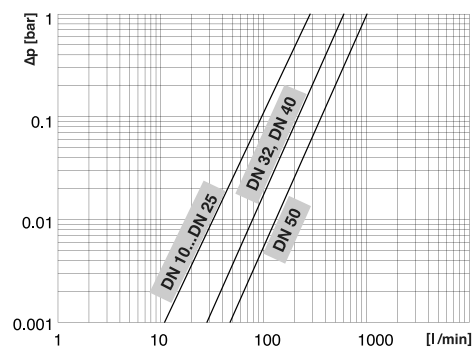
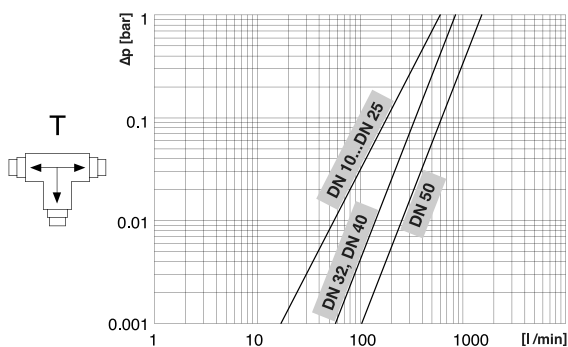
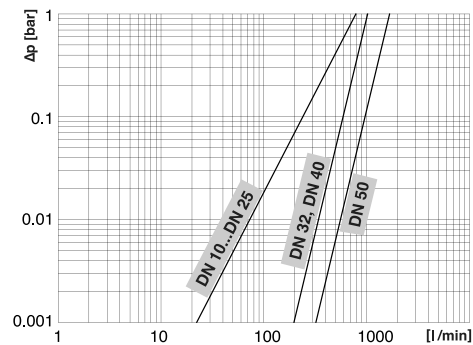
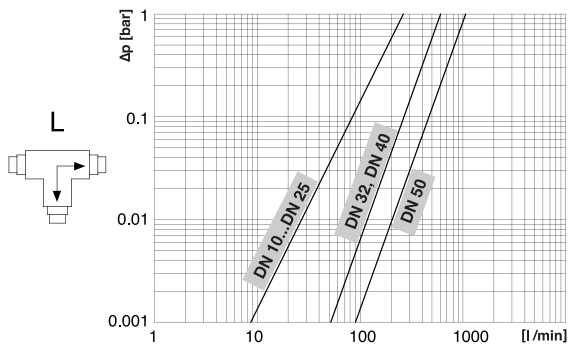
DIMENSIONS [mm]

ND	d	H	H1	H2	L	L1	I	
10	16	33	86	148	138	190	95	R20
15	20							
20	25	40	100		116			
25	32	43	106		119			
32	40	51	130		161			
40	50	56	155		166			
50	63	64	168		192			



PHYSICAL FEATURES

Pressure drop vs. flow (water at 20 °C)



BAMO INTERNATIONAL

22, Rue de la Voie des Bans · Z.I. de la gare · 95100 ARGENTEUIL
 Tel +33 (0)1 30 25 83 20 Web www.bamo.eu
 Fax +33 (0)1 34 10 16 05 E-mail export@bamo.fr

Electrically actuated 3-way
 PVDF ball valves
VE3V S4-PVDF

14-11-2019

D-914.08-EN-AB

PLAS

914-08/2

Electrically actuated butterfly valves VEP K4-PVDF



- Butterfly valves ND50 to ND200
- Radial mounting and dismounting
- Electric actuator with position pointer and manual operating for emergency

DESCRIPTION

Electrically actuated butterfly valves are useful to allow or to stop the flow of liquids in piping systems; Wet parts are only the sealings, seat and disk.

These valves are designed for aggressive liquids; They include a position pointer and may be manually operated for maintenance or emergency operations.

TECHNICAL FEATURES

Butterfly valves:

Body	PP-G (glass-fiber reinforced)
Seat and Seals	FPM
Disk	PVDF
Wafer mounting	Between flanges

Electric actuators:

Control	On/Off mode and 3-points modulating mode
Rotation	90°
Manual operation	Manual override knob (clutch)
Limit switches	2 Adjustable contacts (max. 5A)

Actuators, features for ND 65 to ND 125

Power supplies	100 ... 240 V AC 50/60 Hz and 100 ... 350 V DC or 24 V AC 50/60 Hz and 24 V DC
Consumption	45 W
Duty rating	30 % (according IEC34)
Protection	IP 65
Electrical connections	1 cable gland ISO M20 and 1 DIN 43650 plug; 3-wire + earth

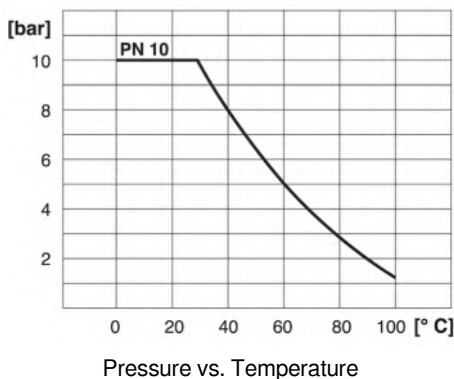
Actuators, features for ND 150 to ND 200

Power supplies	100 ... 240 V AC 50/60 Hz and 100 ... 350 V DC or 15 ... 30 V AC 50/60 Hz and 12 ... 48 V DC
Consumption	45 W
Duty rating	50 % (according IEC34)
Protection	IP 68
Electrical connections	2 cable glands ISO M20

Options:

Fail safe version (back to position 0° in case of power failure).

EC Conformity: The instrument meets the legal requirements of the current European Directives.



BAMO INTERNATIONAL

22, Rue de la Voie des Bans · Z.I. de la gare · 95100 ARGENTEUIL
Tel +33 (0)1 30 25 83 20 Web www.bamo.eu
Fax +33 (0)1 34 10 16 05 E-mail export@bamo.fr

Electrically actuated butterfly
valves
VEP K4-PVDF

19-11-2019

D-914.09-EN-AA

PLAS

914-09/1

CODE NUMBERS AND REFERENCES

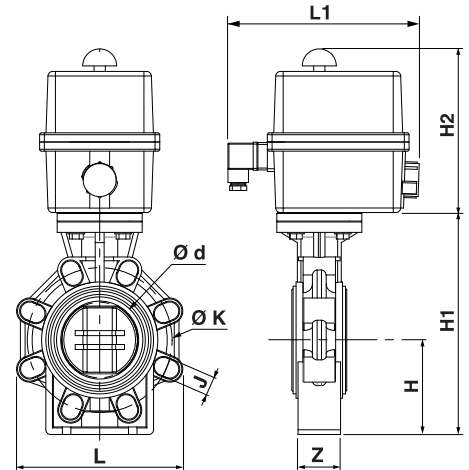
ND	d	24 V AC & 24 V DC	100 ... 240 V AC & 100 ... 350 V DC
65	75	914 649	914 654
80	90	914 650	914 655
100	110	914 651	914 656
		15 ... 30 V AC & 12 ... 48 V DC	
150	160	914 652	914 657
200	225	914 653	914 658

DIMENSIONS [mm]

ND	d	H	H1	H2	L	L1	Z	K	J		
65	75	100	232	177	133	205	46	127 / 145	19	R60	
80	90		239		49		146 / 160	R100			
100	110	115	269	258	206	275	56	175 / 190,5	23	S300	
150	160	148	333		261		275	70			234,5 / 241,5
200	225	175	395		314		276	71			290 / 298,5

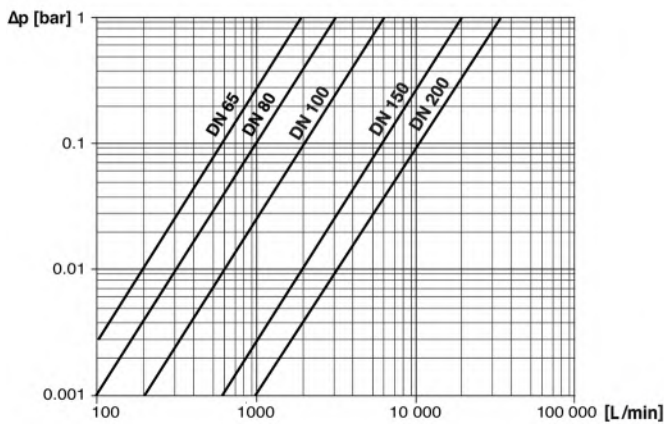
Tightening torques wafer mounting:

ND 65	ND 80	ND 100	ND 150	ND 200
15 N.m	18 N.m	20 N.m	40 N.m	55 N.m

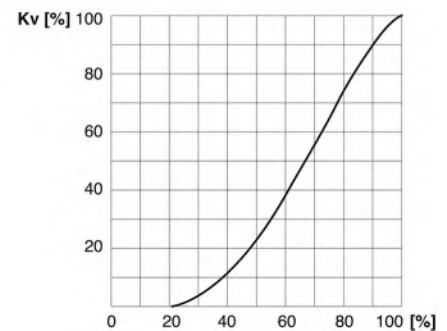


PHYSICAL FEATURES

Pressure drop vs. Flow rate (water at 20 °C)



Kv vs. Opening angle [%]



Kv factor (water at 20 °C):

ND 65		ND 80		ND 100		ND 150		ND 200	
Pressure drop									
1 bar	1 mbar	1 bar	1 mbar	1 bar	1 mbar	1 bar	1 mbar	1 bar	1 mbar
1,900 l/min	60 l/min	3,100 l/min	100 l/min	6,000 l/min	190 l/min	19,000 l/min	600 l/min	35,000 l/min	1,100 l/min

BAMO INTERNATIONAL

22, Rue de la Voie des Bans · Z.I. de la gare · 95100 ARGENTEUIL
 Tel +33 (0)1 30 25 83 20 Web www.bamo.eu
 Fax +33 (0)1 34 10 16 05 E-mail export@bamo.fr

Electrically actuated butterfly valves
VEP K4-PVDF

19-11-2019

D-914.09-EN-AA

PLAS

914-09/2

Electrically actuated 2-way PVC ball valves VE2V M1



- PVC-U, PP-H, PVDF valves from ND 10 to ND 100
- Electric actuator with position pointer and manual operating for emergency

APPLICATIONS

These valves are suitable for applications with aggressive liquids.

DESCRIPTION

Electrically actuated 2-way ball valves are useful to stop the flow of fluids and to isolate part of a piping system. In open position they do not induce pressure drop. The seat of the PTFE ball gives to the valve a long service life. The closing time for the angle of 90° is about 10 seconds. These valves have a manual emergency control with visual position indicator. Power supply must be switched off before manual operating.

TECHNICAL FEATURES

2-way ball valves:

Body	PVC-U, PP-H or PVDF
Sealing	Seals EPDM or FPM (PVDF body -> FPM seals only)
Ball	Material identical to valve body
Ball seat	PTFE
Fittings	Female unions fittings (smooth ends), PVC, PPH or PVDF
Accessory	Mounting bracket for fixing / raising (Available for valves ND 10 to ND 50)

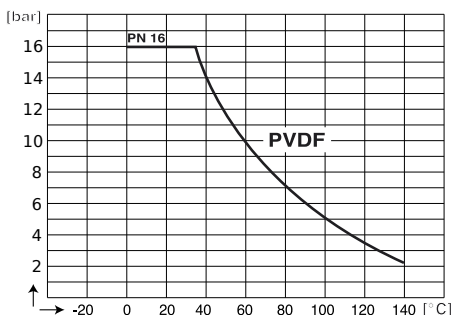
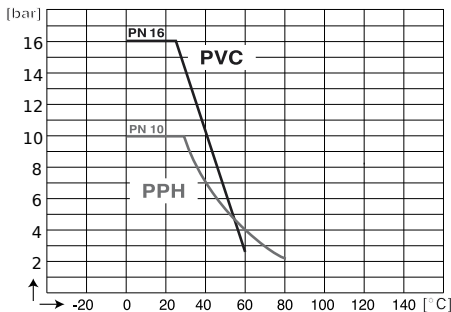
Electric actuator:

Operation	90°
Emergency operation	Manual operating
Duty rating	30 %
Protection	IP 65
Electrical connections	1 cable gland ISO M20 DIN 43650 plug; 3-wire + earth
Power	15 W (ND 10...ND 50); 45 W (ND 65...ND 100)
Multi-voltage power supplies	100 ... 240 V AC 50/60 Hz; 100 ... 350 V DC or 24 V AC 50/60 Hz; 24 V DC

OPTIONS

Back to 0° in case of power failure
Electronic positioning system 4-20 mA
Or 0-20 mA, or 0-10 V

EC Conformity : The instrument meets the legal requirements of the current European Directives.



Pressure vs. Temperature

BAMO INTERNATIONAL

22, Rue de la Voie des Bans · Z.I. de la gare · 95100 ARGENTEUIL
Tel +33 (0)1 30 25 83 20 Web www.bamo.eu
Fax +33 (0)1 34 10 16 05 E-mail export@bamo.fr

Electrically actuated 2-way
PVC ball valves
VE2V M1

13-11-2020

D-914.21-EN-AA

PLAS

914-21 /1

CODE NUMBERS AND REFERENCES

PVC-U valve body — PN 16					
		24 V AC / 24 V DC		100-240 V AC / 100-350 V DC	
ND	d	EPDM seals	FPM seals	EPDM seals	FPM seals
10	16	914 001 M	914 011 M	914 021 M	914 031 M
15	20	914 002 M	914 012 M	914 022 M	914 032 M
20	25	914 003 M	914 013 M	914 023 M	914 033 M
25	32	914 004 M	914 014 M	914 024 M	914 034 M
32	40	914 005 M	914 015 M	914 025 M	914 035 M
40	50	914 006 M	914 016 M	914 026 M	914 036 M
50	63	914 007 M	914 017 M	914 027 M	914 037 M
65	75	914 008 M	914 018 M	914 028 M	914 038 M
80	90	914 009 M	914 019 M	914 029 M	914 039 M
100	110	914 010 M	914 020 M	914 030 M	914 040 M

		Valve body PP-H — PN 10				PVDF valve body - PN 16	
		24 V AC / 24 V DC		100-240 V AC / 100-350 V DC		24 V AC / 24 V DC	100-240 V AC / 100-350 V DC
ND	d	EPDM seals	FPM seals	EPDM seals	FPM seals	FPM seals	FPM seals
10	16	914 301 M	914 311 M	914 321 M	914 331 M	914 601 M	914 611 M
15	20	914 302 M	914 312 M	914 322 M	914 332 M	914 602 M	914 612 M
20	25	914 303 M	914 313 M	914 323 M	914 333 M	914 603 M	914 613 M
25	32	914 304 M	914 314 M	914 324 M	914 334 M	914 604 M	914 614 M
32	40	914 305 M	914 315 M	914 325 M	914 335 M	914 605 M	914 615 M
40	50	914 306 M	914 316 M	914 326 M	914 336 M	914 606 M	914 616 M
50	63	914 307 M	914 317 M	914 327 M	914 337 M	914 607 M	914 617 M
65	75	914 308 M	914 318 M	914 328 M	914 338 M	914 608 M	914 618 M
80	90	914 309 M	914 319 M	914 329 M	914 339 M	914 609 M	914 619 M
100	110	914 310 M	914 320 M	914 330 M	914 340 M	914 610 M	914 620 M

Mounting accessories

Code	Description
141776	Mounting accessory; double function, for valves M1: ND 10, 15 and 20
141777	Mounting accessory; double function, for valves M1: ND 25, 32, 40 and ND 50

Detailed information on mounting accessories is described on the data-sheet 934-04.

BAMO INTERNATIONAL

22, Rue de la Voie des Bans · Z.I. de la gare · 95100 ARGENTEUIL
 Tel +33 (0)1 30 25 83 20 Web www.bamo.eu
 Fax +33 (0)1 34 10 16 05 E-mail export@bamo.fr

Electrically actuated 2-way
 PVC ball valves
VE2V M1

13-11-2020

D-914.21-EN-AA

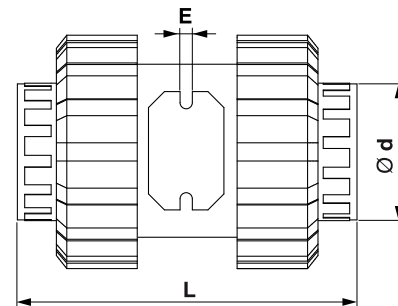
PLAS

914-21 /2

DIMENSIONS [mm]

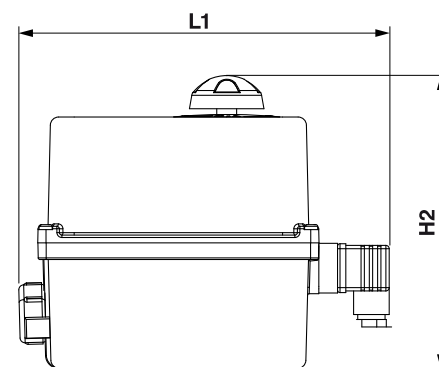
PVC valve body — PN 16

ND	d	H	L	E	H1	L1	H2
10	16	33	83	5,5	113	190	148
15	20				125.5		
20	25	40	98.5				
25	32	43	106	6,5	131		
32	40	51	121.5		148		
40	50	56	149		159		
50	63	64	175	8,3	173.5		
65	75	85	211		221.5		
80	90	100	265.5	10,3	259.5	206	180
100	110		284				



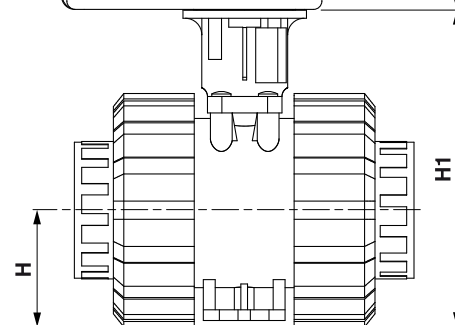
Valve body PP-H — PN 10

ND	d	H	L	E	H1	L1	H2
10	16	33	98.5	5,5	114	190	148
15	20				126.5		
20	25	40	113				
25	32	43,5	123	6,5	133		
32	40	51	141		148		
40	50	56,5	164		161		
50	63	64,5	194,5	8,3	176		
65	75	85	231		223,5		
80	90	100	283,5	10,3	268	206	180
100	110		291,5				



PVDF valve body - PN 16

ND	d	H	L	E	H1	L1	H2
10	16	33	98.5	5,5	114	190	148
15	20				126.5		
20	25	40	113				
25	32	43,5	123	6,5	133		
32	40	51	141		148		
40	50	56,5	164		161		
50	63	64,5	194,5	8,3	176		
65	75	85	228,5		223,5		
80	90	100	282	10,3	268	206	180
100	110		251				



BAMO

INTERNATIONAL

22, Rue de la Voie des Bans · Z.I. de la gare · 95100 ARGENTEUIL
 Tel +33 (0)1 30 25 83 20 Web www.bamo.eu
 Fax +33 (0)1 34 10 16 05 E-mail export@bamo.fr

**Electrically actuated 2-way
 PVC ball valves
 VE2V M1**

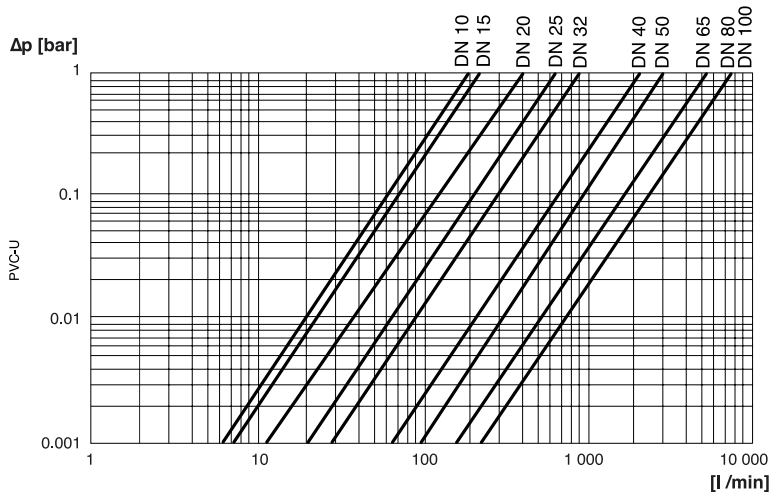
13-11-2020

D-914.21-EN-AA

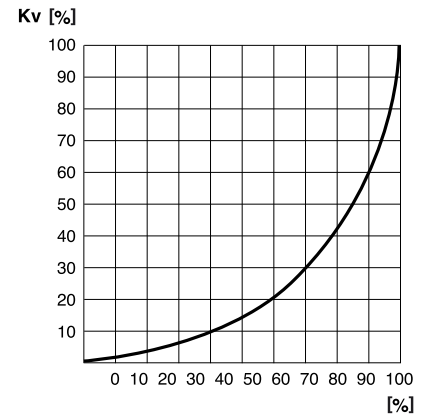
PLAS

914-21/3

PHYSICAL CHARACTERISTICS — PVC-U



Pressure drop vs. Flow rate (water at 20 °C)

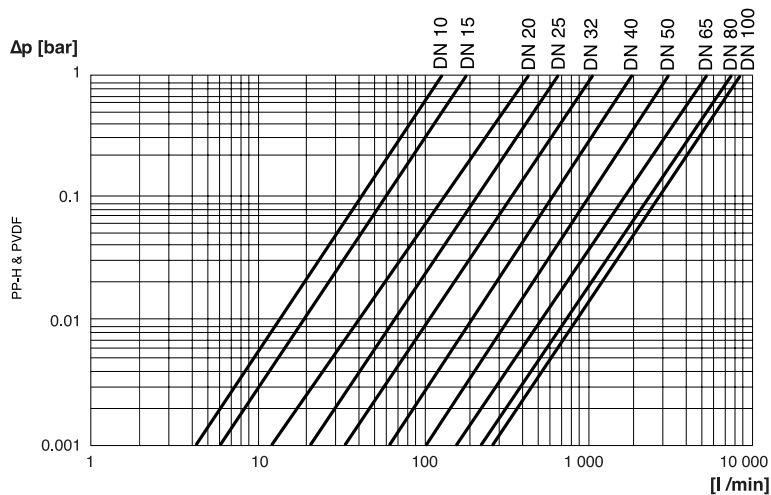


Kv vs. Opening angle [%]

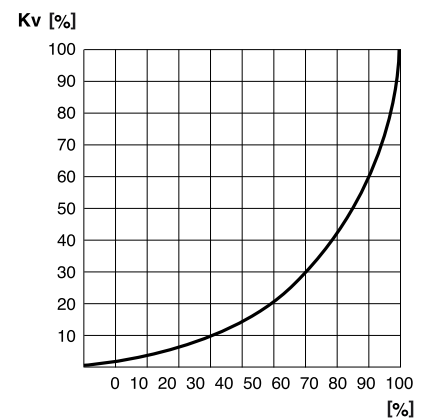
Flow coefficient Kv (at 20 ° C):

PVC-U: PN 16	ND 10	ND 15	ND 20	ND 25	ND 32	ND 40	ND 50	ND 65	ND 80	ND 100
	d 16	d 20	d 25	d 32	d 40	d 50	d 63	d 75	d 90	d 110
Pressure drop at 1 bar [l/min]	198	225	400	630	900	2120	3000	5150	7600	
Pressure drop at 0.001 bar [l/min]	6.2	7.1	12.6	19.9	28.4	67	94.8	162.8	240.3	

PHYSICAL CHARACTERISTICS — PP-H & PVDF



Pressure drop vs. Flow rate (water at 20 °C)



Kv vs. Opening angle [%]

Flow coefficient Kv (at 20 ° C)

PP-H : PN 10	ND 10	ND 15	ND 20	ND 25	ND 32	ND 40	ND 50	ND 65	ND 80	ND 100
PVDF : PN 16	d 16	d 20	d 25	d 32	d 40	d 50	d 63	d 75	d 90	d 110
Pressure drop at 1 bar [l / min]	130	190	440	650	1080	1980	3240	5200	7500	8850
Pressure drop at 0.001 bar [l / min]	4.1	6.0	13.9	20.6	34.2	62.6	102.5	164.4	237.1	279.8

BAMO INTERNATIONAL

22, Rue de la Voie des Bans · Z.I. de la gare · 95100 ARGENTEUIL
 Tel +33 (0)1 30 25 83 20 Web www.bamo.eu
 Fax +33 (0)1 34 10 16 05 E-mail export@bamo.fr

Electrically actuated 2-way
 PVC ball valves
VE2V M1

13-11-2020

D-914.21-EN-AA

PLAS

914-21 /4

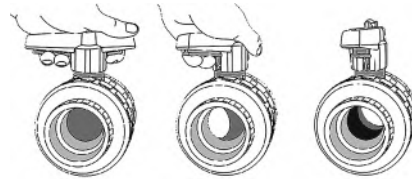
Manually operated 2-way ball valves, industrial series VM2V M1

- Secure and lockable handle
- In-line pattern
- 100% free way



DESCRIPTION

The 2-way ball valves, type S4, are designed for industrial and chemical applications with various materials combination. The ball seat made of PTFE allows a long operating time. A secured and lockable handle prevents of any accidental operation. These modular valves, can receive limit switches, or even supporting adapters to mount electric or pneumatic actuator.



TECHNICAL FEATURES

Body	PVC-U or PP-H or PVDF
Sealing	Seals in EPDM or FPM
Ball	Same material as the body
Ball seat	PTFE
Fittings	Unions (female) PVC, PPH or PVDF Other types or materials on request

Accessories:

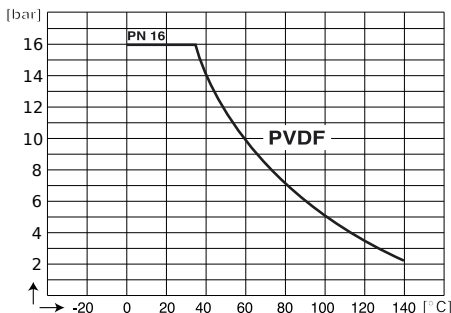
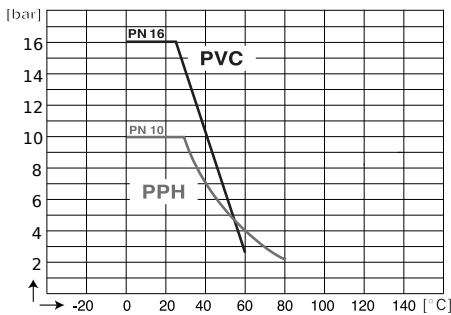
- Supporting adapters, 2 models:
- Adapter to mount an electric or pneumatic actuator.
- Adapter for limit switches

EC Conformity: The instrument meets the legal requirements of the current European Directives.

CODE NUMBERS: refereing to NB "nominal bore"

Body	PVC-U		PP-H		PVDF
	EPDM	FPM	EPDM	FPM	FPM
NB 10	AD128809	AD128819	BD124084	BD124140	CD124091
NB 15	AD128810	AD128820	BD124085	BD124141	CD124092
NB 20	AD128811	AD128821	BD124086	BD124142	CD124093
NB 25	AD128812	AD128822	BD124087	BD124143	CD124094
NB 32	AD128813	AD128823	BD124088	BD124144	CD124095
NB 40	AD128814	AD128824	BD124089	BD124145	CD124096
NB 50	AD128815	AD128825	BD124090	BD124146	CD124097
NB 65	AD124227	AD124230	BD124280	BD124283	CD124292
NB 80	AD124228	AD124231	BD124281	BD124284	CD124293
NB 100	AD124229	AD124232	BD124282	BD124285	CD124294

Pressure vs. Temperature



BAMO INTERNATIONAL

22, Rue de la Voie des Bans · Z.I. de la gare · 95100 ARGENTEUIL
Tel +33 (0)1 30 25 83 20 Web www.bamo.eu
Fax +33 (0)1 34 10 16 05 E-mail export@bamo.fr

Manually operated 2-way ball
valves, industrial series
VM2V M1

16-10-2019

D-934.04-EN-AD

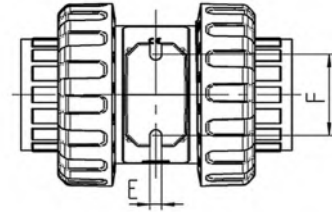
PLAS

934-04/1

DIMENSIONS [mm]

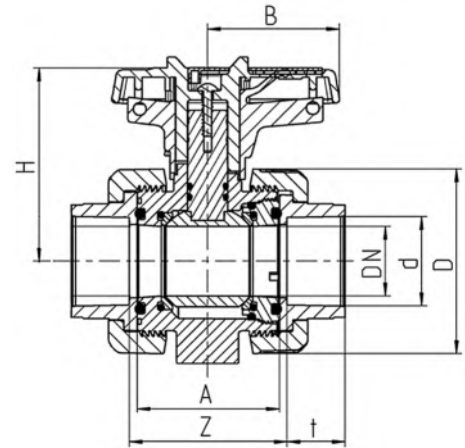
Body in PVC-U – PN 16

	d	A	B	C	D	E	F	H	t	Z
NB 10	16	45	39.5	33	55.5	5.5	34	70.5	16	51
NB 15	20	45	39.5	33	55.5	5.5	34	70.5	16.55	50
NB 20	25	53.5	51	40	62	5.5	36	77	19.5	59.5
NB 25	32	54	51	43	70	6.5	38	79.5	23	60
NB 32	40	62	63.5	51	84	6.5	40	98	26.5	68.5
NB 40	50	78	72	56	101	6.5	45	105.5	31.5	86
NB 50	63	87	84	64	115	6.5	50	114	38.5	98
NB 65	75	111.5	110	85	149	8.3	65	142	44.5	122
NB 80	90	135.5	132	100	182	10.3	80	153	56.5	152.5
NB 100	110	135.5	132	100	182	10.3	80	153	61	162



Body in PP-H – PN 10

	d	A	B	C	D	E	F	H	t	Z
NB 10	16	61,5	40	33	58	5,4	34	74,5	14,5	69,5
NB 15	20	61,5	40	33	58	5,4	34	74,5	16	66,5
NB 20	25	69	51,5	40	68,5	5,4	36	83	17,5	78
NB 25	32	73	51,5	43,5	75,5	6,4	38	85,5	19,5	84
NB 32	40	83	64	51	92	6,4	40	104,5	22	97
NB 40	50	94	73	56,5	108	6,4	45	113	25,5	114
NB 50	63	109	85	64,5	127,5	6,4	50	121,5	29	136,5
NB 65	75	131,5	110	85	160	8,3	65	151,5	34,5	162
NB 80	90	156,5	132	100	196,5	10,3	80	167	38,5	206,5
NB 100	110	156,5	132	100	196,5	10,3	80	167	42	207,5



Body in PVDF – PN 16

	d	A	B	C	D	E	F	H	t	Z
NB 10	16	61,5	40	33	56,5	5,4	34	74,5	14,5	69,5
NB 15	20	61,5	40	33	56,5	5,4	34	74,5	16	67
NB 20	25	69	51,5	40	67	5,4	36	83	17	78
NB 25	32	73	51,5	43,5	73,5	6,4	38	85,5	19,5	84
NB 32	40	83	64	51	90	6,4	40	104,5	22	97
NB 40	50	94	73	56,5	105,5	6,4	45	113	25	113
NB 50	63	108,5	85	64,5	124,5	6,4	50	121,5	29	136
NB 65	75	131,5	110	85	157,5	8,3	65	151,5	35	158,5
NB 80	90	156,5	132	100	192,5	10,3	80	167	38,5	205
NB 100	110	156,5	132	100	192,5	10,3	80	167	44	163

Mass [kg]

	NB 10	NB 15	NB 20	NB 25	NB 32	NB 40	NB 50	NB 65	NB 80	NB 100
PVC-U	0.22	0.22	0.33	0.41	0.65	1.03	1.55	3.24	5.44	5.44
PP-H	0.22	0.22	0.33	0.41	0.65	1.03	1.55	3.24	5.44	5.44
PVDF	0.25	0.25	0.38	0.49	0.81	1.22	1.91	3.82	6.43	6.43

BAMO

INTERNATIONAL
 22, Rue de la Voie des Bans · Z.I. de la gare · 95100 ARGENTEUIL
 Tel +33 (0)1 30 25 83 20 Web www.bamo.eu
 Fax +33 (0)1 34 10 16 05 E-mail export@bamo.fr

**Manually operated 2-way ball
 valves, industrial series
 VM2V M1**

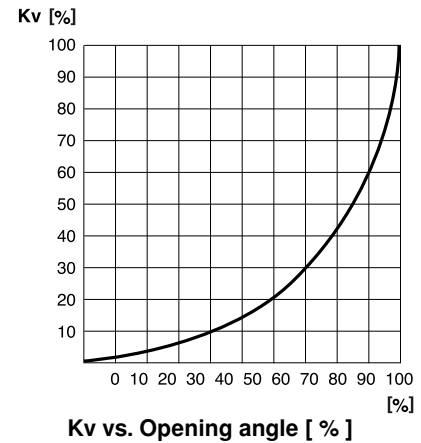
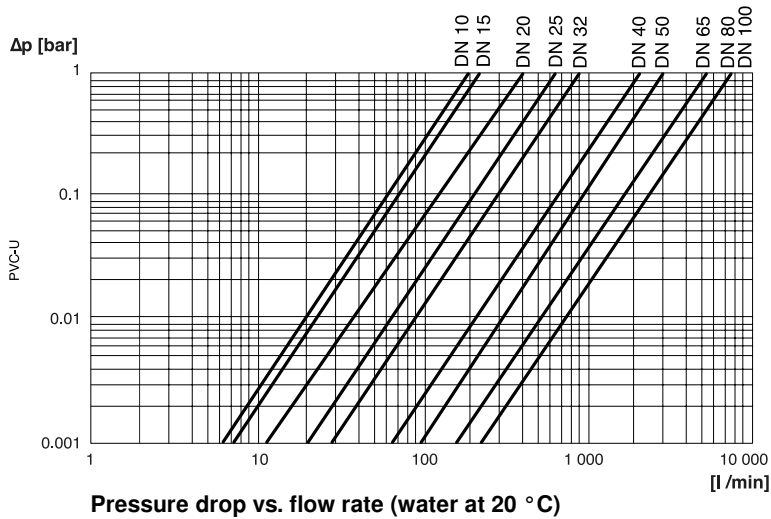
16-10-2019

D-934.04-EN-AD

PLAS

934-04/2

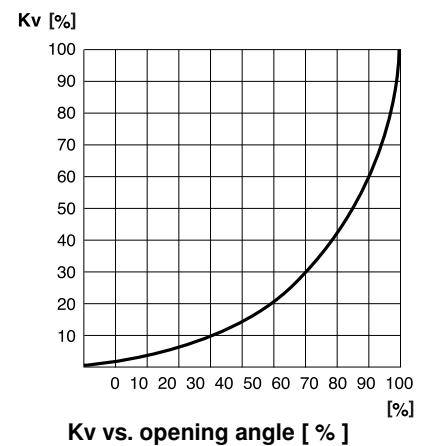
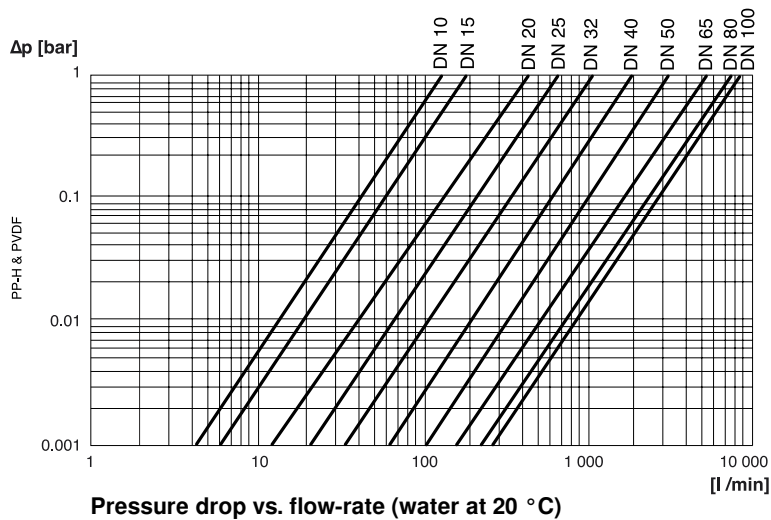
PVC-U Valves, specificities



Kv values table (water at 20 °C):

NB	10	15	20	25	32	40	50	65	80	100
d	16	20	25	32	40	50	63	75	90	110
Kv [l/min] at pressure drop 1 bar	198	225	400	630	900	2120	3000	5150	7600	
Kv [l/min] at pressure drop 0.001 bar	6,2	7,1	12,6	19,9	28,4	67	94,8	162,8	240,3	

PP-H and PVDF valves, specificities



Kv values table (water at 20 °C):

ND	10	15	20	25	32	40	50	65	80	100
d	16	20	25	32	40	50	63	75	90	110
Kv [l/min] at pressure drop 1 bar	130	190	440	650	1080	1980	3240	5200	7500	8850
Kv [l/min] at pressure drop 0.001 bar	4,1	6,0	13,9	20,6	34,2	62,6	102,5	164,4	237,1	279,8

BAMO INTERNATIONAL

22, Rue de la Voie des Bans · Z.I. de la gare · 95100 ARGENTEUIL
 Tel +33 (0)1 30 25 83 20 Web www.bamo.eu
 Fax +33 (0)1 34 10 16 05 E-mail export@bamo.fr

Manually operated 2-way ball valves, industrial series
VM2V M1

16-10-2019

D-934.04-EN-AD

PLAS

934-04/3

ACCESSORIES

Mounting support, double function, for valves M1 series

Description

- 1 accessory, 2 applications: As a blocking support or as a spacer
- Material: PA-G (black; fiber glass reinforced)
- For mounting on valves ND 10 up to ND 50



Function: As a Blocking support

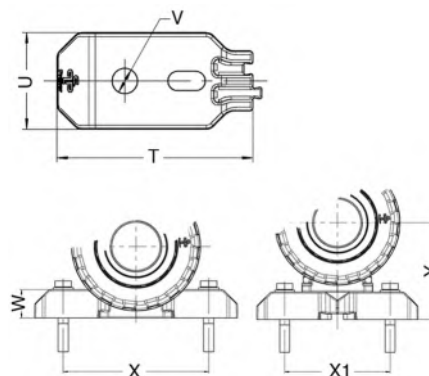


Function: As a spacer



Bore for threaded bushing

NB	10	15	20	25	32	40	50
d	16	20	25	32	40	50	63
T		54				65	
U		25				32	
V		6.5				8.5	
W		16				22	
X	90		94	107	109	114	119
X1		70				85	
Y	49		56	65	73	78	86



Code numbers

Code	Description
AD141776	Mounting support, double function for valves M1: NB 10, 15 and 20
AD141777	Mounting support, double function for valves M1: NB 25, 32, 40 and 50

Mounting adapters for actuators on M1 series

Description:

- Material: PA-G (fiber glass reinforced)
- Stainless steel screws, included
- For mounting on valves NB 10 up to NB 80
- *More information: on request*

Code numbers:

Code	Description
AD129011	Adaptater for valves M1: NB 10 and 15
AD129012	Adaptater for valves M1: NB 20 and 25
AD129013	Adaptater for valves M1: NB 32
AD129014	Adaptater for valves M1: NB 40 and 50
AD210631	Adaptater for valves M1: NB 65
AD210632	Adaptater for valves M1: NB 80



BAMO INTERNATIONAL

22, Rue de la Voie des Bans · Z.I. de la gare · 95100 ARGENTEUIL
 Tel +33 (0)1 30 25 83 20 Web www.bamo.eu
 Fax +33 (0)1 34 10 16 05 E-mail export@bamo.fr

Manually operated 2-way ball
 valves, industrial series
VM2V M1

16-10-2019

D-934.04-EN-AD

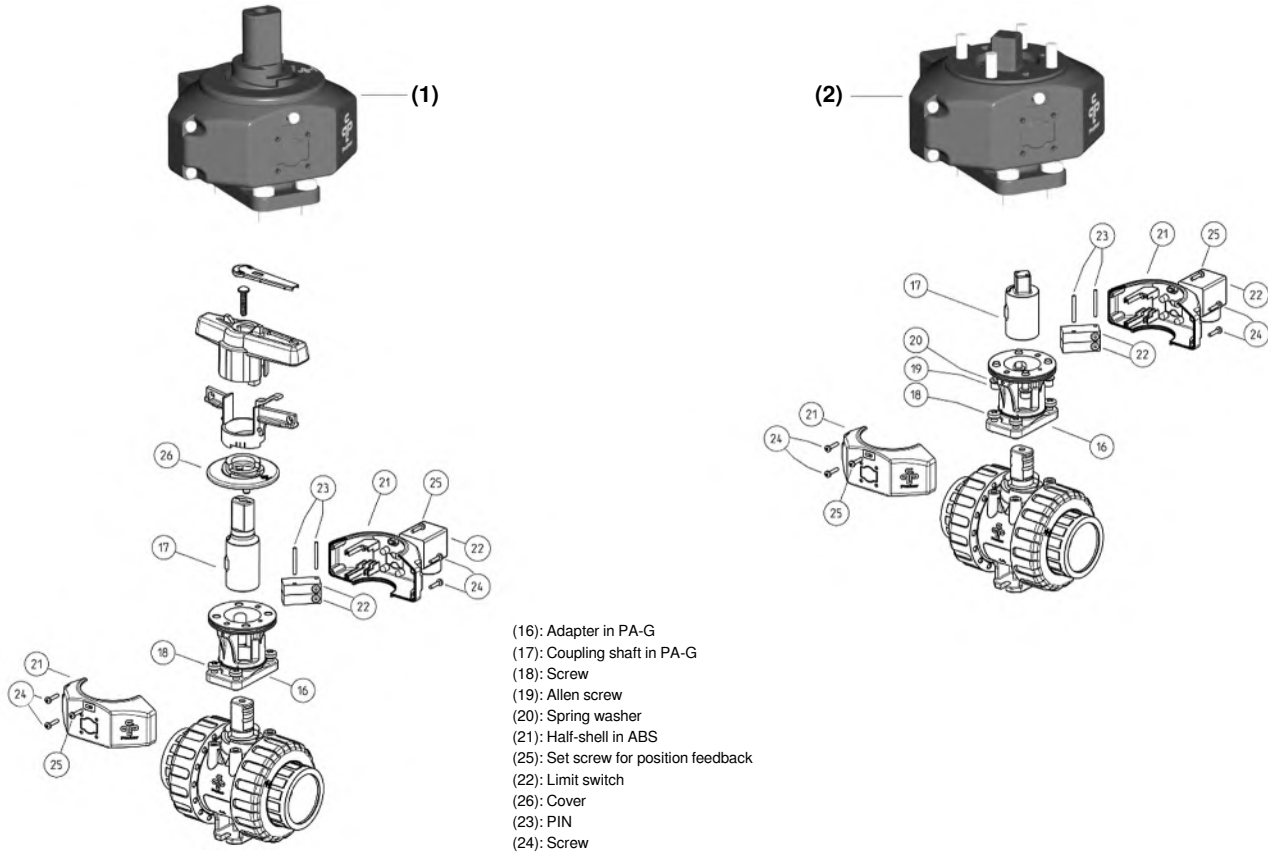
PLAS

934-04/4

Limit switches kits for valves M1 series

Description:

- For manually operated valves (1) or electric/ pneumatic actuators of our supply (2)
- Adjustable switches IP67; contact Ag-Ni: N.O. (NC*), rated 15 ... 250 V AC (15...30 V DC); Limits 100 mA - 5A
Contact Au*: N.O.* (N.C.*), rated 5 ... 250 V AC (5 ... 30 V DC), Limits 1 mA - 3 A (* : on request)
- Inductive contact IP 67, PNP*/ NPN*, rated 10 ... 30 V DC, Limits 0-100 mA or NAMUR* 8 V DC (* : on request)
- Operating temperature: -10 ... +50 °C
- Connector DIN IP 65
- Screws are not supplied



- (16): Adapter in PA-G
- (17): Coupling shaft in PA-G
- (18): Screw
- (19): Allen screw
- (20): Spring washer
- (21): Half-shell in ABS
- (25): Set screw for position feedback
- (22): Limit switch
- (26): Cover
- (23): PIN
- (24): Screw

Limit switches kit for manually operated valves M1 series:

Code	Description	Code	Description
AD129031	Kit, contacts N.O. (Ag-Ni), for NB 10 and 15	AD210635	Kit, inductive contacts PNP, for NB 10 and 15
AD129032	Kit, contacts N.O. (Ag-Ni), for NB 20 and 25	AD210635	Kit, inductive contacts PNP for NB 20 and 25
AD129033	Kit, contacts N.O. (Ag-Ni), for NB 32	AD210637	Kit, inductive contacts PNP for NB 32
AD129034	Kit, contacts N.O. (Ag-Ni), for NB 40 and 50	AD210638	Kit, inductive contacts PNP for NB 40 and 50
AD210633	Kit, contacts N.O. (Ag-Ni), for NB 65	AD210639	Kit, inductive contacts, PNP, 10 ... 30 V DC for NB 65
AD210634	Kit, contacts N.O. (Ag-Ni), for NB 80	AD210640	Kit, inductive contacts, PNP, 10 ... 30 V DC for NB 80

Limit switches kit for actuated valves M1 series:

Code	Description	Code	Description
AD129159	Kit, contacts N.O. (Ag-Ni), for NB 10 and 15	AD210643	Kit, inductive contacts PNP, for NB 10 and 15
AD129160	Kit, contacts N.O. (Ag-Ni), for NB 20 and 25	AD210644	Kit, inductive contacts PNP, for NB 20 and 25
AD129161	Kit, contacts N.O. (Ag-Ni), for NB 32	AD210645	Kit, inductive contacts PNP, for NB 32
AD129162	Kit, contacts N.O. (Ag-Ni), for NB 40 and 50	AD210646	Kit, inductive contacts PNP, for NB 40 and 50
AD210641	Kit, contacts N.O. (Ag-Ni), for NB 65	AD210647	Kit, inductive contacts PNP, for NB 65
AD210642	Kit, contacts N.O. (Ag-Ni), for NB 80	AD210648	Kit, inductive contacts PNP, for NB 80

BAMO INTERNATIONAL

22, Rue de la Voie des Bans · Z.I. de la gare · 95100 ARGENTEUIL
 Tel +33 (0)1 30 25 83 20 Web www.bamo.eu
 Fax +33 (0)1 34 10 16 05 E-mail export@bamo.fr

**Manually operated 2-way ball
valves, industrial series
VM2V M1**

16-10-2019

D-934.04-EN-AD

PLAS

934-04/5

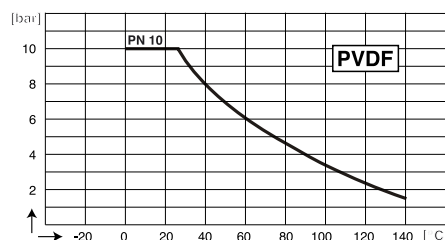
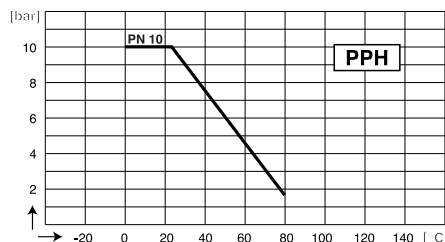
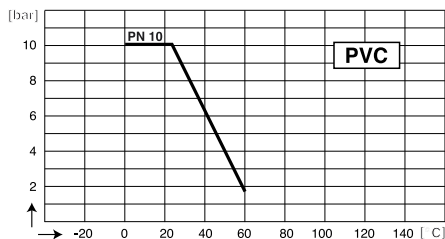
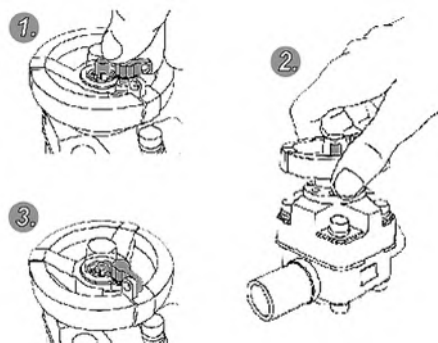
Manual diaphragm valve VMM T4

- Secure and padlockable handwheel
- Radial mounting and dismounting
- Position pointer



DESCRIPTION

Diaphragm valves T4, manual type, can be used in the most demanding applications. The different materials available allow the use with many chemicals, corrosives, in pipings for aggressive and/ or polluted liquids. The replacement of the diaphragm and wet seals is done without special tools. These valves are equipped with a secure and padlockable handwheel.



Pressure vs. Temperature

TECHNICAL FEATURES

Body	PVC PPH PVDF (only with FPM seals)
Seals	EPDM or FPM
Diaphragm	EPDM or EPDM PTFE coated
Seat	PTFE
Fittings	Female unions (socket ends)

EC Conformity: The instrument meets the legal requirements of the current European Directives.

CODE NUMBERS AND REFERENCES

ND	Body Material / Seals Material				
	PVC / EPDM	PVC / FPM	PPH / EPDM	PPH / FPM	PVDF / FPM
15	AD 122 212	AD 122 832	BD 125 038	BD 125 050	CD 125 074
20	AD 122 213	AD 122 834	BD 125 039	BD 125 051	CD 125 075
25	AD 122 214	AD 122 835	BD 125 040	BD 125 052	CD 125 076
32	AD 122 215	AD 122 836	BD 125 041	BD 125 053	CD 125 077
40	AD 122 216	AD 122 837	BD 125 042	BD 125 054	CD 125 078
50	AD 122 217	AD 122 838	BD 125 043	BD 125 055	CD 125 079
	(1) ↑	(2) ↑	(1) ↑	(2) ↑	(2) ↑

- (1) : Diaphragm, EPDM
(2) : Diaphragm, EPDM coated with PTFE

BAMO INTERNATIONAL

22, Rue de la Voie des Bans · Z.I. de la gare · 95100 ARGENTEUIL
Tel +33 (0)1 30 25 83 20 Web www.bamo.eu
Fax +33 (0)1 34 10 16 05 E-mail export@bamo.fr

Manual diaphragm valve
VMM T4

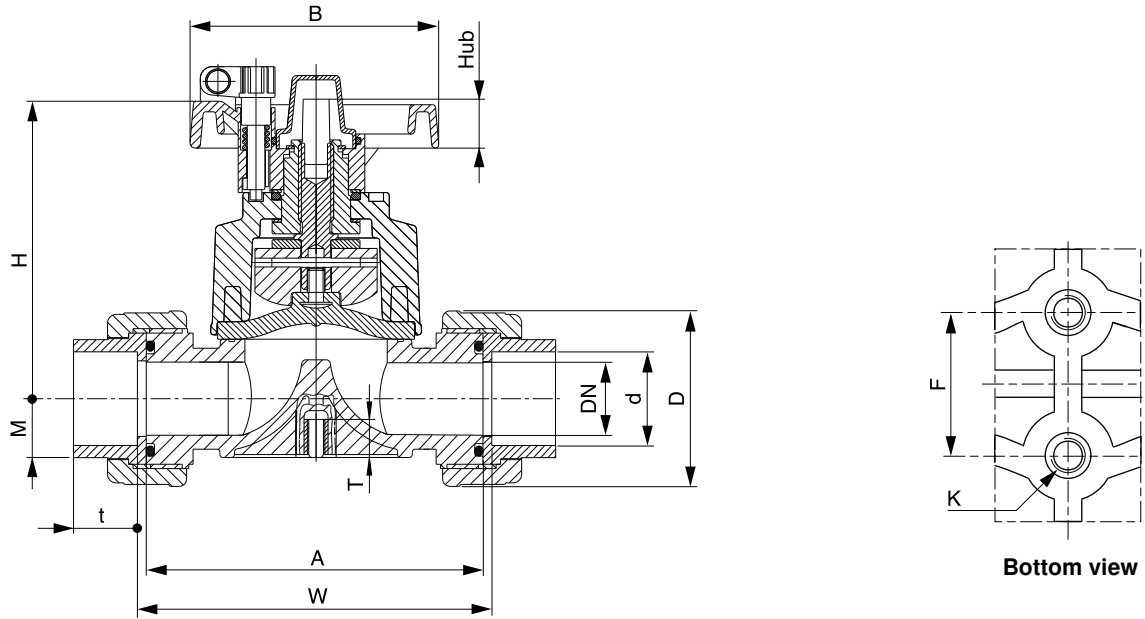
22-10-2020

D-940.02-EN-AA

PLAS

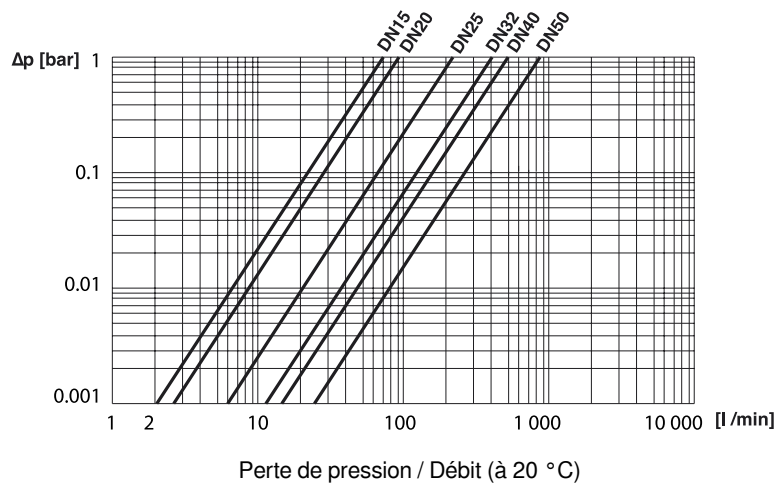
940-02/1

DIMENSIONS [mm]



ND	d	A	W	t (PVC)	t	T	Hub	D	H	B	M (PVC)	M	F (PVC)	F	K
15	20	90.0	96.0	16.0	28.5	12.0	9.0	43.0	100.0	86.0	17.0	16.5	25.0	24.5	M6
20	25	108.0	114.0	19.0	36.0		11.0	53.0							
25	32	116.0	122.0	22.0	38.5		22.0	60.0	107.0						
32	40	136.0	142.0	26.0	38.5	15.0	22.0	74.0	144.0	136.0	33.0	31.5	45.0	43.5	M8
40	50	154.0	160.0	31.0	46.0		28.0	83.0							
50	63	184.0	190.0	38.0	46.0		28.0	103.0	170.0		40.3	38.6			

CHARACTERISTICS



BAMO

INTERNATIONAL

22, Rue de la Voie des Bans · Z.I. de la gare · 95100 ARGENTEUIL

Tel +33 (0)1 30 25 83 20 Web www.bamo.eu

Fax +33 (0)1 34 10 16 05 E-mail export@bamo.fr

Manual diaphragm valve VMM T4

PLAS

940-02/2

22-10-2020

D-940.02-EN-AA

Manual butterfly valves, chemistry series VMP K4



- Secure and padlockable handle
- 10 adjustment positions
- Wafer mounting, between flanges: DIN, ANSI, JIS

DESCRIPTION

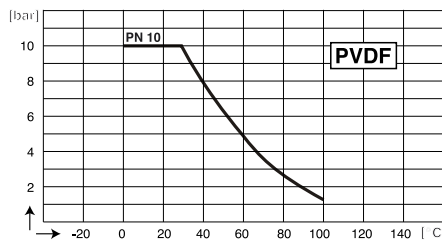
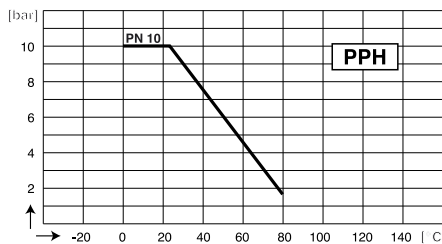
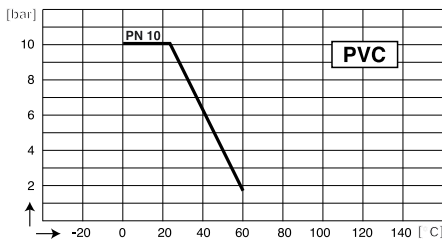
These manual valves are designed for a wafer mounting between flanges of various standards. The "secure handle" version has a metal adapter located between the end of the valve shaft and the handle, preventing premature wear. The "Wheel" version allows easy handling of the valve. Wet parts concern the disc, sleeve and sealing. The different materials available make this product suitable for the most demanding applications.

TECHNICAL FEATURES

Body	PP-GF
Sleeve	EPDM or FPM
Disc	PVC, PPH, PVDF
Mounting	Wafer, between flanges DIN 2501, ANSI B 16.5, JIS 10 K, BS Table D&E
Operating pressure	10 bar

EC Conformity: The instrument meets the legal requirements of the current European Directives

CODE NUMBERS AND REFERENCES



Pressure vs. Temperature

ND	Handle version / PVC disc		Wheel version / PVC disc	
	EPDM sealing	FPM sealing	EPDM sealing	FPM sealing
65	AD 125 860	AD 125 865	AD 126 010	AD 126 015
80	AD 125 861	AD 125 866	AD 126 011	AD 126 016
100	AD 125 862	AD 125 867	AD 126 012	AD 126 017
125	AD 128 456	AD 128 457	AD 128 761	AD 128 763
150	AD 125 863	AD 125 868	AD 126 013	AD 126 018
200	AD 125 864	AD 125 869	AD 126 014	AD 126 019

ND	Handle version / PPH disc		Wheel version / PPH disc	
	EPDM sealing	FPM sealing	EPDM sealing	FPM sealing
65	BD 125 870	BD 125 875	BD 126 020	BD 126 025
80	BD 125 871	BD 125 876	BD 126 021	BD 126 026
100	BD 125 872	BD 125 877	BD 126 022	BD 126 027
125	BD 128 458	BD 128 459	-	-
150	BD 125 873	BD 125 878	BD 126 023	BD 126 028
200	BD 125 874	BD 125 879	BD 126 024	BD 126 029

ND	Handle version / PVDF disc	Wheel version / PVDF disc
	FPM sealing	FPM sealing
65	CD 125 880	CD 126 030
80	CD 125 881	CD 126 031
100	CD 125 882	CD 126 032
125	CD 128 460	CD 128 765
150	CD 125 883	CD 126 033
200	CD 125 884	CD 126 034

BAMO INTERNATIONAL

22, Rue de la Voie des Bans · Z.I. de la gare · 95100 ARGENTEUIL
 Tel +33 (0)1 30 25 83 20 Web www.bamo.eu
 Fax +33 (0)1 34 10 16 05 E-mail export@bamo.fr

Manual butterfly valves,
chemistry series
VMP K4

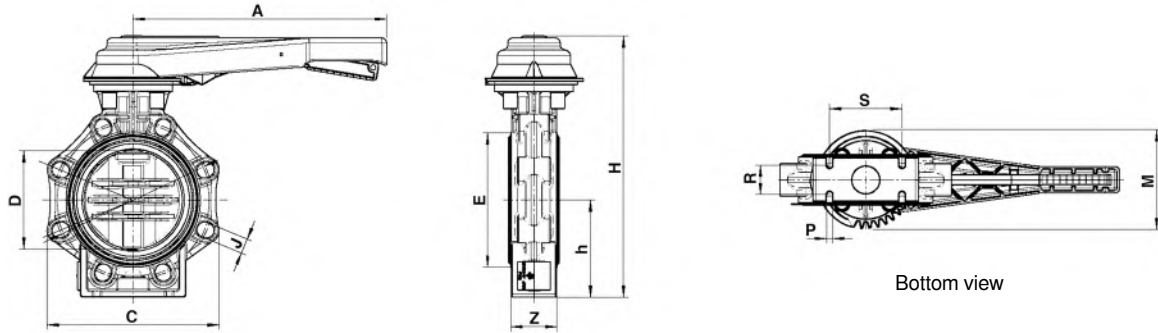
15-02-2021

D-945.04-EN-AB

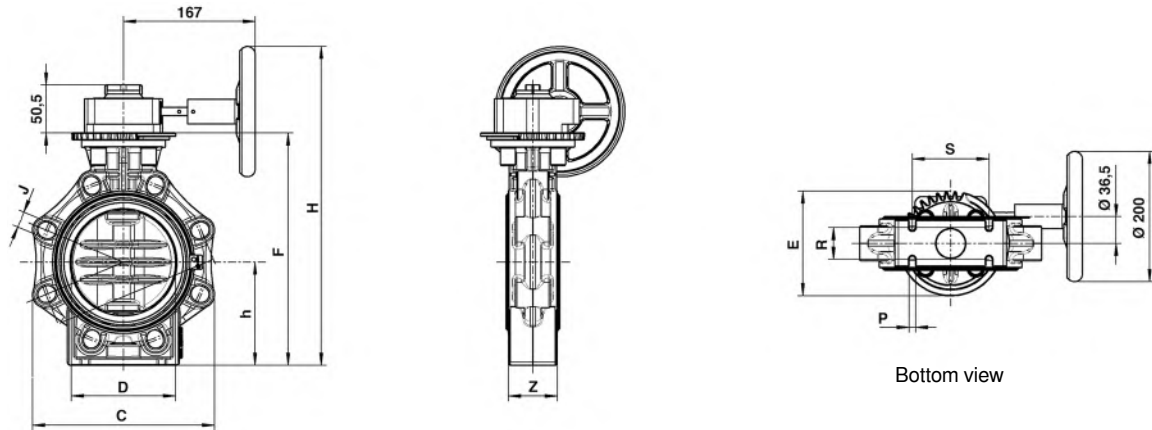
PLAS

945-04/1

DIMENSIONS [mm]



ND	d	A	D	C	H	h	E	J	M	Z	P	R	S	PN
65	75	230	65	133	285	100	98	19	114	46	7	25	55	10
80	90		80	176	292		116			49	30	70		
100	110	300	100	206	322	115	146			56	35	85		
150	160	386	150	261	396	147,5	196	23	150	70	9	45	110	
200	225		200	314	458	175	251			71	40	145		

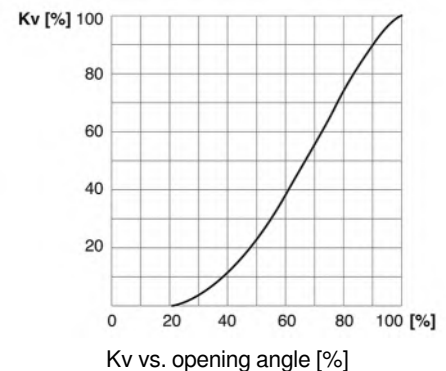


ND	d	D	C	H	h	F	J	Z	P	R	E	PN
65	75	65	133	362.5	100	232	19	46	7	25	114	10
80	90	80	176	369.5		239		49	30			
100	110	100	206	399.5	115	269		56	9	35		
150	160	150	261	463.5	147.5	333	23	70	45	150		
200	225	200	314	525.5	175	395		71	40			

PHYSICAL FEATURES

Flow factor Kv (at 20 ° C):

	Pressure drop 1 bar	Pressure drop 0.001 bar
ND 65	1,900 l/min	60 l/min
ND 80	3,100 l/min	100 l/min
ND 100	6,000 l/min	190 l/min
ND 150	19,000 l/min	600 l/min
ND 200	35,000 l/min	1,100 l/min



BAMO

INTERNATIONAL
 22, Rue de la Voie des Bans · Z.I. de la gare · 95100 ARGENTEUIL
 Tel +33 (0)1 30 25 83 20 Web www.bamo.eu
 Fax +33 (0)1 34 10 16 05 E-mail export@bamo.fr

**Manual butterfly valves,
 chemistry series
 VMP K4**

15-02-2021

D-945.04-EN-AB

PLAS

945-04/2

Liquid dosing tube PM 958



Example: Dosing tube,
scale in ml, with 2
valves

- Liquid dosing tube
- Tube in transparent PVC
- Dimensions: Custom made
- Option: Manual valves

APPLICATIONS

For dosing samples or mixtured solutions in laboratory or WWTP.

DESCRIPTION

A graduated transparent reservoir is fitted at the top with a plug for filling and at the bottom with a ball valve for visually dosing.

- Reservoir could be of O.D. 63, 90 or 110 mm
- Inlet and outlet plugs are of ND 10 to 20 mm
- Graduated scale and unit, are on application to your request.
- A manufacturing drawing is submitted for approval.

TECHNICAL FEATURES

Materials	PVC
Seals	EPDM or FPM
Operating temperature	From 0 to 50 °C
Pressure	Atmospheric
Graduated scale	cm, ml, cl, litre, etc. (Others on request)

CODE NUMBERS AND REFERENCES

Code	Reference	Description
958 000	PM 958	Liquid dosing tube custom made

DIMENSIONS

Example:

Liquid dosing tube Ø 63 mm, scale 0 to 500 ml, with 2 ball valves ND 15

BAMO INTERNATIONAL

22, Rue de la Voie des Bans · Z.I. de la gare · 95100 ARGENTEUIL

Tel +33 (0)1 30 25 83 20 Web www.bamo.eu

Fax +33 (0)1 34 10 16 05 E-mail export@bamo.fr

Liquid dosing tube
PM 958

16-01-2019

D-958.01-EN-AB

PLAS

958-01 /1