

Pressure transducer TP 805



- Compact and robust construction
- Output signal: 4-20 mA; 2-wire
- Pressure: 0 ... 2.5 barg up to 25 barg
- AISI 316 Fitting: 1/2" G or 1/4" G
- Ceramic diaphragm

APPLICATIONS

The pressure transmitter is used for pressure measurements, continuously in real time, of gases and liquids.

DESCRIPTION

Accuracy, reliability, corrosion resistance and mechanical load upper limit, make this top quality pressure transmitter a suitable product for a wide variety of industrial applications.

The transmitter is based on a piezo-resistive sensor for which the ceramic diaphragm fits a stainless steel body to resist to aggressive chemicals. Materials in use and the technology implemented make this sensor particularly resistant to vibrations and mechanical shocks.

Commissioning is easy and fast. The pressure transmitter is factory adjusted to its measuring range and can not be modified on site. It does not require maintenance.

TECHNICAL FEATURES

Pressure ranges	0... 2.5 up to 0 ... 25 barg
Overload limit:	2.5 times the full scale
Accuracy	±0.5 % F.S.
<i>Inclusive: variations on zero point, end of range, linearity, hysteresis and repeatability</i>	
Response time	< 2 ms
Fluid temperature	-15 ... +125 °C
Ambient temperature	-30 ... +85 °C
Temperature incidence	± 0.2 % F.S. / 10 K
<i>Test conditions: At 25 °C</i>	
Output signal	4 ... 20 mA
Power supply	7 ... 33 V DC, 2-wire loop
Protected against short circuit and reverse polarity	
Isolation voltage	500 V DC
Electric protection	Classe III
Connections	Connector DIN; EN 175301-803-A Cable Ø 6 ... 8 mm
Protection	IP 65 (connector DIN mounted)
Materials:	
Body and fitting	AISI 316 L (1.4404)
Seal	FPM
Sensor	Piezo-resistive with ceramic diaphragm Al ₂ O ₃ (96 %)
Connector	Polyamide 50 % GF UL 94 V-0
Mounting:	
Fitting	Male threads: G 1/4" or G 1/2"
Mounting position	Vertical, connector upward (recommended)

BAMO INTERNATIONAL

22, Rue de la Voie des Bans · Z.I. de la gare · 95100 ARGENTEUIL

Tel +33 (0)1 30 25 83 20 Web www.bamo.eu

Fax +33 (0)1 34 10 16 05 E-mail export@bamo.fr

Pressure transducer
TP 805

PR

805-04/1

28-06-2018

D-805.04-EN-AC

Mass	90 g
Agreements	
Electromagnetic compatibility	Directive EN 61326-2-3
EMC additional	Directive EN 50121-3-2
Mechanical Tests & Environmental Tests	Procedures IEC 68-2-27 & IEC 68-2-29
Vibrations, mechanical tests	Procedures IEC 68-2-6

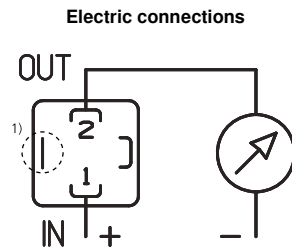
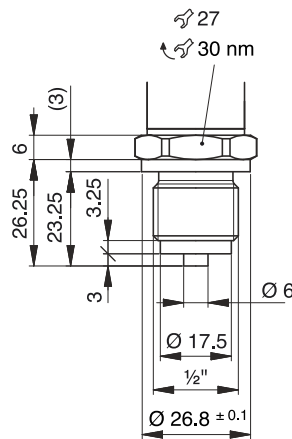
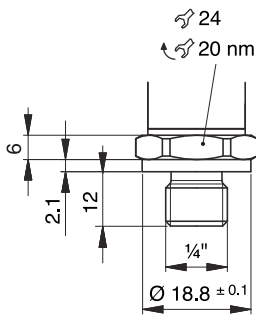
EC Conformity: The instrument meets the legal requirements of the current European Directives

CODE NUMBERS AND REFERENCES

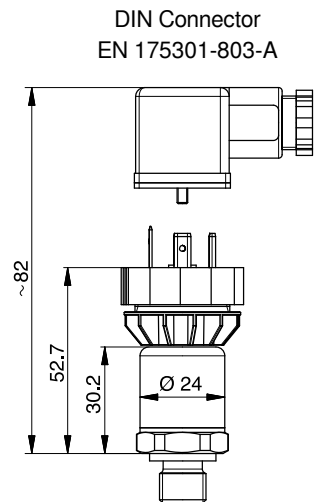
Code	Reference	Measuring range	Fitting
805 021	TP 805-528914-4	0... 2.5 bar	BSP 1/4"
805 024	TP 805-528915-4	0...4 bar	
805 026	TP 805-528917-4	0...6 bar	
805 030	TP 805-528930-4	0...10 bar	
805 036	TP 805-528931-4	0...16 bar	
805 402	TP 805-528914	0... 2.5 bar	BSP 1/2"
805 406	TP 805-528917	0...6 bar	
805 410	TP 805-528930	0...10 bar	
805 416	TP 805-528931	0...16 bar	
805 425	TP 805-528932	0...25 bar	

Other operating ranges: on request.

DIMENSIONS



1 (IN) 2 (OUT)



PRECAUTIONS

- These sensors should be handled by qualified technicians.
- Wet parts must be suitable for the application.
- The pressure limit for overload must be considered and respected.
- Protect the device from the direct action of UV / sunlight.

BAMO INTERNATIONAL

22, Rue de la Voie des Bans · Z.I. de la gare · 95100 ARGENTEUIL

Tel +33 (0)1 30 25 83 20 Web www.bamo.eu

Fax +33 (0)1 34 10 16 05 E-mail export@bamo.fr

Pressure transducer
TP 805

28-06-2018

D-805.04-EN-AC

PR

805-04/2

805

805

Flush diaphragm pressure transmitter TP 805-28



- Compact and heavy duty model
- Relative pressure from -1 up to 60 bar
- Output signal: 4-20 mA
- Stainless steel fitting: BSP 1"
- AISI 316L diaphragm (option: Hastelloy)

APPLICATIONS

Remote pressure values of viscous, pasty, sticky, crystallizing liquids, contaminated fluids, that may clog the fitting of a standard pressure transmitter.

DESCRIPTION

Accuracy, reliability, corrosion resistance and mechanical resistance make this pressure transmitter a suitable product for many industrial applications.

The built-in sensor is a piezoresistive sensor separated from the liquid by a stainless steel diaphragm. All parts and materials in use and the technology implemented make this sensor particularly resistant to vibrations and mechanical shocks.

Installation is quick and easy.
If necessary, it is possible to shift the zero and the range by $\pm 10\%$, without altering the performance. It does not require any maintenance.
Checks must be carried out according to Company's rules or to application.

TECHNICAL FEATURES

Measuring range	-1 ... 60 barg (relative pressure) 0... 60 bar ABS (absolute pressure) <i>See standard scales on page 2</i>
Overload limit	4 times the F.S.
Damaging overload	8 times the F.S.
Accuracy	$\pm 0.2\%$
Long term stability	0.1 % per year
Repeatability	0.05 %
Response time	< 120 ms
Liquid temperature	-40 ... +130 °C
Ambient temperature	-40 ... +80 °C
Temperature incidence	Max. 0.4 % / 10 °C
Humidity acceptance	R.H.: 0 to 98 %, condensing
Output signal	4-20 mA; 2-wire
Power supply	8 ... 36 V DC
Electrical connection	Connector DIN 43650 with PG 9 (\varnothing 6 to 8 mm cable)
Protection	IP 65 (with DIN connector fitted)

Materials:

Diaphragm	AISI 316 L (1.4435) Option: Hastelloy
Body	AISI 304 (1.4301)
Connector	Itamide (Nylon 6)

Mounting:

Fitting	Male thread, BSP 1"
Mass	About 90 g

BAMO INTERNATIONAL

22, Rue de la Voie des Bans · Z.I. de la gare · 95100 ARGENTEUIL
Tel +33 (0)1 30 25 83 20 Web www.bamo.eu
Fax +33 (0)1 34 10 16 05 E-mail export@bamo.fr

Flush diaphragm pressure
transmitter
TP 805-28

17-01-2020

D-805.05-EN-AC

PR

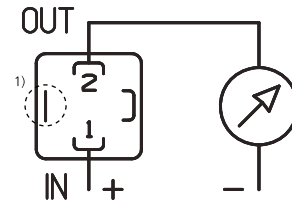
805-05/1

Agreements:

- Directive EN 61326-1 & EN61000-6-2, electromagnetic compatibility

EC Conformity: The instrument meets the legal requirements of the current European Directives.**Options:**

- ATEX version
- Marine Certificate DNV and BR
- Accuracy: 0.16 %
- MODBUS Protocol
- SIL 1 certificate
- Response time less than 30 ms

Electrical connections

1 (IN) 2 (OUT)

CODE NUMBER AND REFERENCE

Code	Reference	Description
805 300	TP 805-28	Flush diaphragm transmitter (Scale to be specified)

Standard scales:

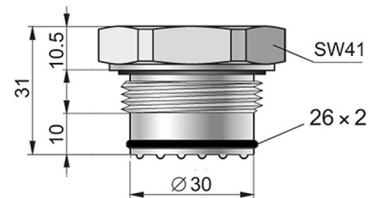
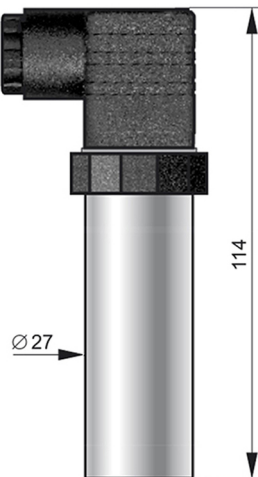
- **For relative pressure:**

In barg: 0 to -1; -0.4; -0.1; 0.1; 0.4; 1; 2.5; 6; 10; 16; 25; 60

- **Absolute pressure:**

In bar ABS: 0 to 0.4; 1; 2.5; 6; 10; 16; 25; 60

Other scales: on request

DIMENSIONS [mm]**INSTALLATION PRECAUTIONS**

- These transmitters should be handled by qualified technicians.
- Wet parts must be suitable with the liquid, application.
- Overload pressure limit must be considered and respected.
- Protect the device from the direct action of UV / sunlight.

BAMO INTERNATIONAL

22, Rue de la Voie des Bans · Z.I. de la gare · 95100 ARGENTEUIL

Tel +33 (0)1 30 25 83 20 Web www.bamo.eu

Fax +33 (0)1 34 10 16 05 E-mail export@bamo.fr

Flush diaphragm pressure transmitter
TP 805-28

17-01-2020

D-805.05-EN-AC

PR

805-05/2

Pressure gauge guard for tri-clamp mounting D301



- Quickly dismountable from piping
- Laser welded diaphragm
- Operating ranges: -1 ... 0 ... 40 bar
- For tri-clamp fitting

APPLICATIONS

This pressure gauge guard is designed for food, beverage, cosmetic and pharmaceutical industries.

TECHNICAL FEATURES

Operating range	-1 ... 0 ... 40 bar
Filling	Food grade oil, -20 ... +140 °C
Body	AISI 316
Diaphragm	AISI 316 L

Instrument connection	or BSP-F 1/2" or NPT-F 1/2" or BSP-F 1/4" or NPT-F 1/4" or BSP-F 3/8"
-----------------------	---

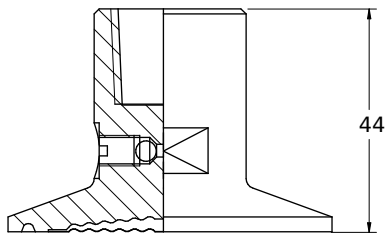
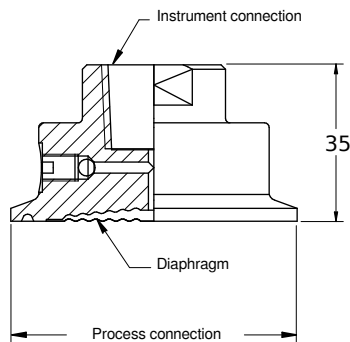
Process connection	For tri-clamp 1" or 1 1/2" or 2" or 2 1/2"
--------------------	--

EC Conformity: The instrument meets the legal requirements of the current European Directives.

DIMENSIONS:

Process connection

Tri-clamp size 1"	Diaphragm (OD/ED) 35/25 mm Ranges from 0...4 bar up to 0...40 bar
Tri-clamp size 1 1/2"	Diaphragm (OD/ED) 38/32 mm Ranges from 0...2 bar up to 0...40 bar
Tri-clamp size 2"	Diaphragm (OD/ED) 48/40 mm Ranges from 0...1 bar up to 0...40 bar
Tri-clamp size 2 1/2"	Diaphragm (OD/ED) 62/52 mm Ranges from -1...0 bar up to 0...40 bar



CODE NUMBERS AND REFERENCES

Code	Description
D301	All stainless steel pressure gauge guard for tri-clamp fitting
812 xxx	Instrument fitting & tri-clamp size: O/A; WITHOUT ferrule, gasket, clamp Filling: Food grade oil, -20 to +140 °C

Options on request: Certificates, other types

BAMO INTERNATIONAL

22, Rue de la Voie des Bans · Z.I. de la gare · 95100 ARGENTEUIL

Tel +33 (0)1 30 25 83 20 Web www.bamo.eu

Fax +33 (0)1 34 10 16 05 E-mail export@bamo.fr

Pressure gauge guard for
tri-clamp mounting
D301

09-02-2022

D-812.30-EN-AB

PR

812-30/1

Flanged diaphragm seal, gauge guard D201



- Wide choice
- Flanged diaphragm seal
- Operating ranges: -1 ... 0 ... 70 bar
- Process connection: Flange ANSI B16.5

APPLICATIONS

Designed to protect instruments, these gauge guards are useful on viscous and corrosive fluids in high pressure and/or high vibration applications.

TECHNICAL FEATURES

Operating ranges	-1 ... 0 ... 70 bar
Filling	Silicone oil DC 200 (-40 ... 205 °C)
Body	Top: AISI 304 Bottom: AISI 316
Diaphragm	AISI 316 L
Gaskets	PTFE
Fitting to instrument	½" BSP-F ½" NPT-F
Fitting to process	ANSI flange B 16.5 rated: according operating range

OPTIONS	Capillary tube to instrument Protection over capillary PTFE sheathed flange PTFE sheathed diaphragm
---------	--

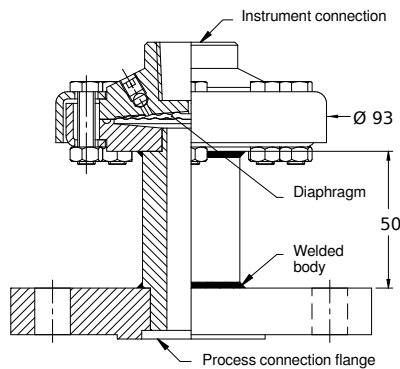
EC Conformity: The instrument meets the legal requirements of the current European Directives

CODE NUMBERS AND REFERENCES

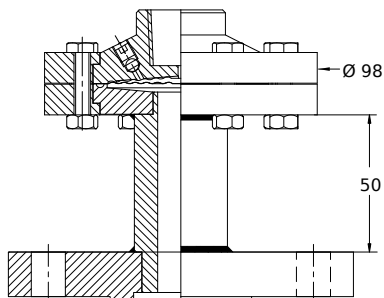
Code	Description
812 xxx	D201 -1 ... 0 bar to 0 ... 21 bar; To instrument: ½" BSP-F To process: Flange ANSI B16.5 Filling: Silicone oil DC 200 (-40...205 °C)
812 xxx	D201 -1...0 bar to 0...70 bar; To instrument: ½" BSP-F To process: Flange ANSI B16.5 Filling: Silicone oil DC 200 (-40...205 °C)
812 xxx	D201 -1 ... 0 bar to 0 ... 21 bar; To instrument: ½" NPT-F To process: Flange ANSI B16.5 Filling: Silicone oil DC 200 (-40...205 °C)
812 xxx	D201 -1...0 bar to 0...70 bar; To instrument: ½" NPT-F To process: Flange ANSI B16.5 Filling: Silicone oil DC 200 (-40...205 °C)

Options, certificates, other features: On request

-1...0 bar to 0...21 bar



-1...0 bar to 0...70 bar



BAMO INTERNATIONAL

22, Rue de la Voie des Bans · Z.I. de la gare · 95100 ARGENTEUIL
Tel +33 (0)1 30 25 83 20 Web www.bamo.eu
Fax +33 (0)1 34 10 16 05 E-mail export@bamo.fr

Flanged diaphragm seal,
gauge guard
D201

23-06-2020

D-812.36-EN-AB

PR

812-36/1

Gauge guard with ANSI flange D202



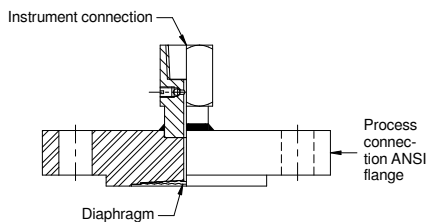
- Large pressure range
- Laser welded diaphragm
- Range -1 ... 0 ... 400 bar
- Flange ANSI B16.5

APPLICATIONS

Designed to protect instruments, these guards are used on viscous and corrosive fluids in high pressure process and/or with excessive vibrations.

TECHNICAL FEATURES

Operating range	-1 ... 0 ... 400 bar
Filling liquid	Silicon oil DC200: -40 ... 205 °C
Body and flange	AISI 316
Diaphragm	AISI 316 L
Instrument connection	Or BSP - F 1/2" Or NPT - F 1/2"
Process connection	1 1/2" #150 selon ANSI Flange B16.5 1 1/2" #150



OPTIONS	Capillary Protective sheath PTFE coated flange PTFE coated diaphragm
---------	---

EC Conformité: The instrument meets the legal requirements of the current European Directives

CODE NUMBERS AND REFERENCES

Code	Description
812 xxx-G	D202 to specify -1...0...400 bar; BSP-F 1/2" ANSI Flange B16.5 1 1/2" #150 Filling: Silicone oil (-40 ... 205 °C)
812 xxx-N	D202 to specify -1...0...400 bar; NPT-F 1/2" ANSI Flange B16.5 1 1/2" #150 Filling: Silicone oil (-40 ... 205 °C)

Options on request: Certificates, other configurations

BAMO INTERNATIONAL

22, Rue de la Voie des Bans · Z.I. de la gare · 95100 ARGENTEUIL

Tel +33 (0)1 30 25 83 20 Web www.bamo.eu

Fax +33 (0)1 34 10 16 05 E-mail export@bamo.fr

Gauge guard with ANSI flange
D202

01-02-2022

D-812.38-EN-AA

PR

812-38/1

Welded one-piece gauge guard D103



- Body and diaphragm: AISI 316 L
- Welded one-piece gauge guard
- Small dimensions
- Operating pressure: -1 ... 0 ... 70 bar

APPLICATIONS

- For corrosive, contaminated or viscous fluids
- Chemical and petrochemical industry
- Industry with aggressive ambient conditions.

DESCRIPTION

The D103 one-piece gauge guards are designed for the protection of pressure sensors. They also protect the piping system: in the event of a destruction of measuring instrument, the gauge guard seals the circuit.

Transmission of pressure between pressurized fluid in the pipe and the pressure sensor is carried out via an incompressible liquid. The filling of the system gauge guard + sensor must be done under vacuum. This assembly done on our filling bench, guarantees the accuracy of measurements.

Note: Assembly of our gauge guards on pressure sensors provided by customers is subject to previous acceptance.

TECHNICAL FEATURES

Operating range	-1 ... 0 ... 70 bar
Filling	Silicone oil DC 200 (-40 ... 205 ° C)
Body	AISI 316
Diaphragm	AISI 316 (laser welded)
Instrument connection	BSP-F: or 1/4" or 1/2"
Process connection	BSP-M: or 1/4" or 1/2" NPT-M: 1/2"

Accessories :

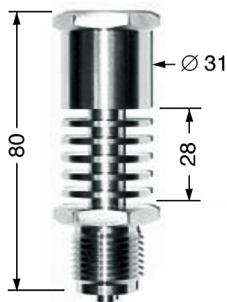
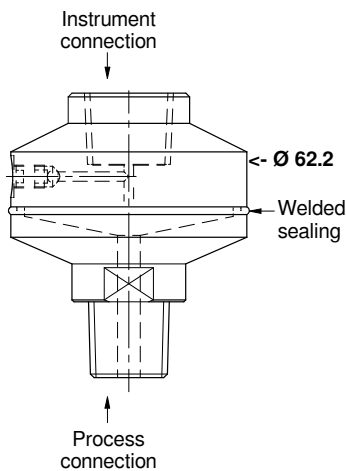
- Thermal isolation: Radiator in AISI 316 L
(Mounting on the instrument connexion of the gauge guard)

EC Conformity: The instrument meets the legal requirements of the current European Directives

CODE NUMBERS AND REFERENCES

Code	Reference	Fittings	
		Instrument	Process
812 445	DS 103 1/2 GF x 1/2 GM	BSP-F 1/2"	BSP-M 1/2"
812 447	DS 103 1/4 GF x 1/4 GM	BSP-F 1/4"	BSP-M 1/4"
812 448	DS 103 1/2 GF x 1/2 NPT M	BSP-F 1/2"	NPT-M 1/2"
Accessory			
816 470	Thermal isolation radiator for gauge guards		

Options on request: Certificates , other configurations



Accessory: Radiator for thermal isolation

BAMO INTERNATIONAL

22, Rue de la Voie des Bans · Z.I. de la gare · 95100 ARGENTEUIL
Tel +33 (0)1 30 25 83 20 Web www.bamo.eu
Fax +33 (0)1 34 10 16 05 E-mail export@bamo.fr

Welded one-piece gauge
guard
D103

01-02-2022

D-812.40-EN-AC

PR

812-40/1

High pressure sensor guards, flush diaphragm D104



- All stainless steel
- Flush diaphragm
- Ideal for pressure transmitters
- Operating range: 0-70 bar ... 0-700 bar

APPLICATIONS

- To protect Bourdon tube pressure gauges or high pressure transmitters
- For aggressive, dirty, viscous fluids in the chemical and food industries

TECHNICAL FEATURES

Operating pressure 0-70 bar ... 0-700 bar

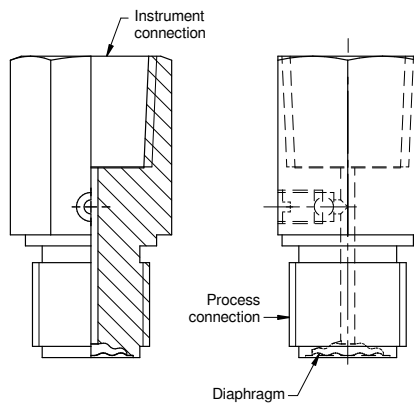
Mounting Direct

EC Conformité: The instrument meets the legal requirements of the current European Directives

CODE NUMBERS AND REFERENCES

Code	Description
812 xxG	D104-G High pressure gauge guard; To specify: 0-70 bar ... 0-700 bar Instrument connection BSP-F 1/2"; Process connection BSP-M 1/2"
812 xxN	D104-N High pressure gauge guard; To specify: 0-70 bar ... 0-700 bar Instrument connection NPT-F 1/2"; Process connection NPT-M 1/2"

Options on request: Certificates and other configurations



BAMO INTERNATIONAL

22, Rue de la Voie des Bans · Z.I. de la gare · 95100 ARGENTEUIL

Tel +33 (0)1 30 25 83 20 Web www.bamo.eu

Fax +33 (0)1 34 10 16 05 E-mail export@bamo.fr

High pressure sensor guards,
flush diaphragm
D104

02-02-2022

D-812.42-EN-AA

PR

812-42/1

Dismountable pressure gauge guard D101



- Dismountable for diaphragm cleaning
- Laser welded diaphragm
- Operating pressure -1 ... 0 ... 70 bar

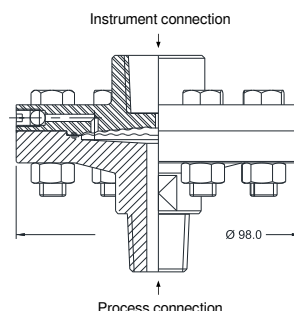
APPLICATIONS

These gauge guards are designed for applications with viscous and corrosive fluids in high pressure as well as for process with excessive vibrations.

TECHNICAL FEATURES

Operating pressure	-1 ... 0 ... 70 bar
Body	AISI 316
Diaphragm	AISI 316 (laser welded)
Sealing	PTFE
Filling liquid	FDA oil for operating temperature -20 to 140 °C
Instrument connection	BSP-F 1/2"
Process connection	BSP-M 1/2" NPT-M 1/2"

EC Conformité: The instrument meets the legal requirements of the current European Directives



CODE NUMBERS AND REFERENCES

Code	Description
812 410	D101 Dismountable gauge guard Instrument connection BSP-F 1/2" - Process connection BSP-MF 1/2" FDA oil filling (-20 ... 140 °C)
812 411	D101 Dismountable gauge guard Instrument connection BSP-F 1/2" - Process connection NPT-M 1/2" FDA oil filling (-20 ... 140 °C)

Options on request: Other configurations

BAMO INTERNATIONAL

22, Rue de la Voie des Bans · Z.I. de la gare · 95100 ARGENTEUIL

Tel +33 (0)1 30 25 83 20 Web www.bamo.eu

Fax +33 (0)1 34 10 16 05 E-mail export@bamo.fr

Dismountable pressure gauge
guard
D101

02-02-2022

D-812.44-EN-AA

PR

812-44/1

Bourdon tube pressure gauge "all stainless steel", Diam. 100 P101



- Movement in stainless steel
- Case: Diam. 100 mm
- Measuring ranges from -1 ... 0 up to 1600 bar

APPLICATIONS

For neutral liquids or gases in food, pharmaceutical, chemical, petrochemicals industries.

DESCRIPTION

Pressure gauges P101 are in conformity with standard EN 837-1. With a stainless steel design, this model is suitable for a large number of industrial applications.

To suit lines with vibrations, case may be filled up with glycerine or silicone oil. These fluids to diminish the unstable movements of needle to facilitate the readings. At the same time, they protect and increase the lifetime of the instrument.

Note: In the case of sudden changes in pressure such as water hammers or pulsating flow, it is recommended to use a pressure damper (see data-sheet 816-02).

TECHNICAL FEATURES

Accuracy	Class 1.0
Type	Dry case, (Option: filling)
Ambient temperature	0 to 40 °C
Storage temperature	-40 to +65 °C (dry case) -20 to +65 °C (filled case)
Operating temperature	100 °C max. (Max. 60 or 90 °C acc. filling fluid)
Temperature drift	Of reading, max. $\pm 0.4\%$ / 10 °C if operating temperature is different from 20 °C
Measuring ranges	From -1 ... 0 up to 0 ... 1600 bar
Movement	Bourdon tube Type C (< 100 bar) Helicoidal (> 100 bar)
Protection	IP 54 / IP 65
Fitting	Male: 1/2" BSP or NPT <i>Other fitting on request</i>

Pressure limits:

Static pressure	Full scale value
Dynamic pressure	0.9 x Full scale value
Instantly	1.3 x Full scale value if ≤ 100 bar 1.15 x Full scale value if > 100 bar

Materials:

Weld sealing	Argon TIG welding
Bourdon tube	AISI 316 L
Movement	AISI 304
Case and ring	AISI 304
Gasket	Neoprene
Dial	Aluminum, black marks on white background
Pointer	Aluminum, black color; Adjustable zeroing
Window	SEKURIT glass

EC Conformité: The instrument meets the legal requirements of the current European Directives

BAMO INTERNATIONAL

22, Rue de la Voie des Bans · Z.I. de la gare · 95100 ARGENTEUIL

Tel +33 (0)1 30 25 83 20 Web www.bamo.eu

Fax +33 (0)1 34 10 16 05 E-mail export@bamo.fr

Bourdon tube pressure gauge
"all stainless steel", Diam. 100
P101

25-06-2018

D-812.50-EN-AB

PR

812-50/1

CODE NUMBERS AND REFERENCES

Standard models:

- Case Diam. 100 mm
- Fitting: Stainless steel 1/2" BSP
- Vertical - Direct mounting
- Class 1
- Case and ring: AISI 304
- Dry (Supply without filling liquid)
- Window: SEKURIT glass

Code	Reference	Measuring scale
812 626	P101 04 -1 ... 0	-1 ... 0 bar
812 628	P101 04; -1 ... +1.5	-1 ... 1.5 bar
812 630	P101 04 -1 ... 5	-1 ... 5 bar
812 635	P101 04; 0 ... 1.6	0... 1.6 bar
812 636	P101 04; 0 ... 2.5	0... 2.5 bar
812 637	P101 04 0 ... 4	0... 4 bar
812 638	P101 04 0 ... 6	0... 6 bar
812 639	P101 04 0 ... 10	0... 10 bar
812 640	P101 04 0 ... 16	0... 16 bar
812 641	P101 04 0 ... 25	0... 25 bar
812 642	P101 04 0 ... 40	0... 40 bar

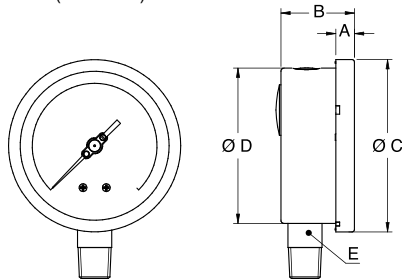
Options, types, certificates: on request

Options: Filling liquids

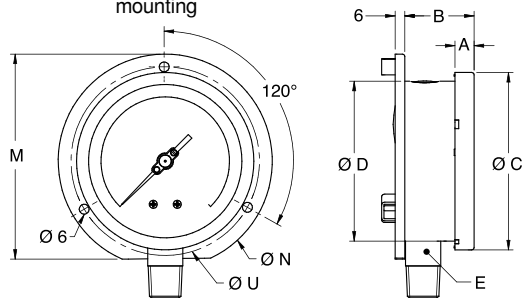
Code	Reference	Description
812 002	Glycerine	Gauge filling with glycerine; for gauge diam. 100 mm, Temperature +10 to +60 °C
812 004	Silicone oil	Gauge filling with silicone oil; for gauge diam. 100 mm, Temperature -10 to +90 °C

DIMENSIONS (mm)

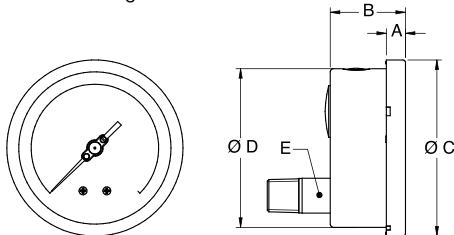
B0 Fitting: Vertical - direct mounting (standard)



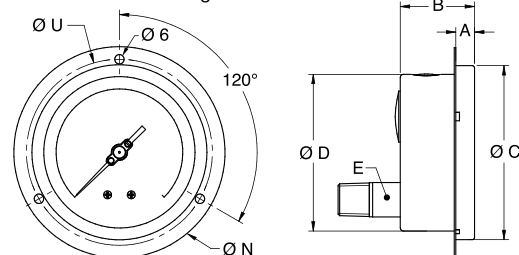
B1 Fitting: Vertical; Rear-back flange; panel mounting



LO Fitting: Horizontal - rear, lower; Direct mounting



L1 Fitting: Horizontal - rear, lower; Front flange - Panel mounting



Mounting	A	B	Ø C	Ø D	E	M	Ø N	Ø U	Mass (g)
B0 & LO	12	48	111	100	SQ.22	-	-	-	506
B1	12	52	111	100	SQ.22	128	134	118	613
L1	12	48	111	100	SQ.22	-	134	118	580

BAMO INTERNATIONAL

22, Rue de la Voie des Bans · Z.I. de la gare · 95100 ARGENTEUIL
 Tel +33 (0)1 30 25 83 20 Web www.bamo.eu
 Fax +33 (0)1 34 10 16 05 E-mail export@bamo.fr

Bourdon tube pressure gauge
 "all stainless steel", Diam. 100
P101

25-06-2018

D-812.50-EN-AB

PR

812-50/2

Bourdon pressure gauge, stainless steel / EN 837-1 P103



- Mechanical system in stainless steel
- Case Ø 63 mm
- Ranges from -1 ... up to 1000 bar

APPLICATIONS

For neutral liquids or gases, in food, pharmaceutical, chemical, petrochemical industries.

DESCRIPTION

Pressure gauges P103 are in conformity with standard EN 837-1. With stainless steel parts, this model is suitable for a large number of industrial applications.

To suit applications with vibrating support, the case may be filled up with glycerin or silicone oil. These fluids diminish the unstability of the pointer to facilitate the reading. As well, they increase the lifetime of the instrument.

Note: In the case of sudden changes in pressure such as water hammers or pulsating flow, it is recommended to use a pressure damper (see data-sheet 816-02).

TECHNICAL FEATURES

Accuracy	Class 1.6
Type	Dry case, (Option: filling)
Ambient temperature	-40 to +65 °C (dry case) -20 to +65 °C (filled case)
Operating temperature	Fluid: Max. 300 °C
Temperature drift	For temperatures from 20 °C over the reference temperature, error on reading is max. $\pm 0.4 \% / 10$ °C.
Measuring ranges	From -1 ... 0 bar up to 0 ... 1600 bar
Mechanical system	Bourdon tube Type C (≤ 100 bar) Helicoidal (> 100 bar)
Protection	IP 54 / IP 65
Fitting	BSP 1/4"
Mounting	Fitting: Vertical; Direct mounting Fitting: Horizontal; Direct mounting Fitting: Vertical; Rear-back flange; Panel mounting Fitting: Vertical; Front flange; Panel mounting

Pressure limits:

Static pressure	Full scale (F.S.)
Dynamic pressure	0.9 x F.S.
Instantly	1.3 x F.S. if ≤ 100 bar 1.15 x F.S. if > 100 bar

Materials:

Weld sealing	Argon TIG welding
Bourdon tube	AISI 316 L
Mechanical system	AISI 304
Case and ring	AISI 304
Gasket	Neoprene
Dial	Aluminum, black marks on white background
Pointer	Aluminum, black color; Adjustable zero
Window	PMMA

EC Conformité: The instrument meets the legal requirements of the current European Directives

BAMO INTERNATIONAL

22, Rue de la Voie des Bans · Z.I. de la gare · 95100 ARGENTEUIL

Tel +33 (0)1 30 25 83 20 Web www.bamo.eu

Fax +33 (0)1 34 10 16 05 E-mail export@bamo.fr

**Bourdon pressure gauge,
stainless steel / EN 837-1
P103**

09-06-2020

D-812.54-EN-AD

PR

812-54/1

CODE NUMBERS AND REFERENCES

Standard model:

- Case diam 63 mm
- Fitting: AISI 316 L; BSP 1/4"
- Vertical; Direct mounting
- Class 1.6
- Case and ring AISI 304
- Dry case
- Window: SEKURIT glass

Code	Reference	Measuring scale
812 610	P103 0...1.6	0... 1.6 bar
812 611	P103 0...2.5	0... 2.5 bar
812 612	P103 0...4	0... 4 bar
812 613	P103 0...6	0... 6 bar
812 614	P103 0...10	0... 10 bar
812 615	P103 0...16	0... 16 bar
812 616	P103 0...25	0... 25 bar
812 617	P103 0...40	0... 40 bar

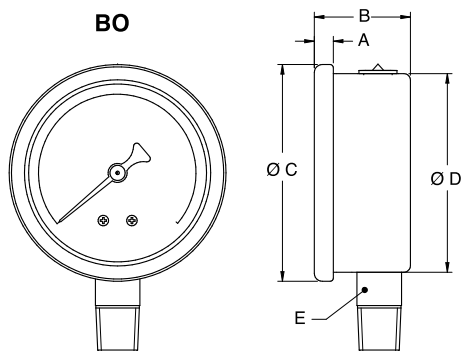
Options: Types, certificates: on request

Option: Filling liquids

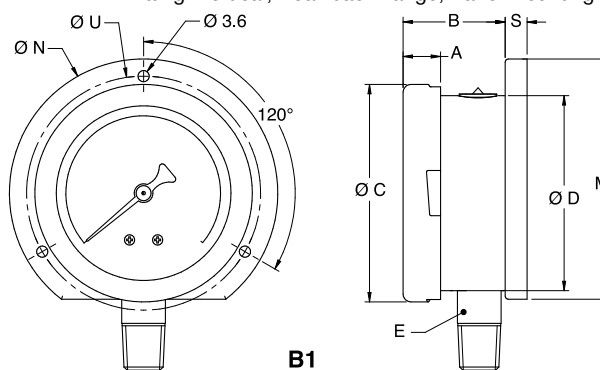
Code	Reference	Description
812 001	Glycerin	Glycerine filling for gauge Ø 63; Temperature +10...65 °C
812 003	Silicone oil	Silicone oil filling for gauge Ø 63; Temperature -10...+65 °C

DIMENSIONS [mm]

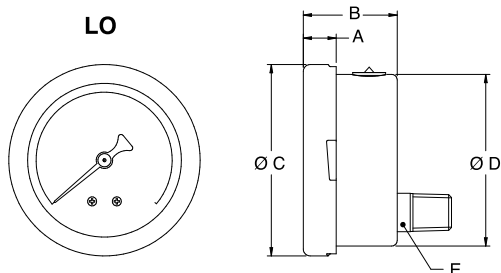
Fitting: Vertical; Direct mounting (standard)



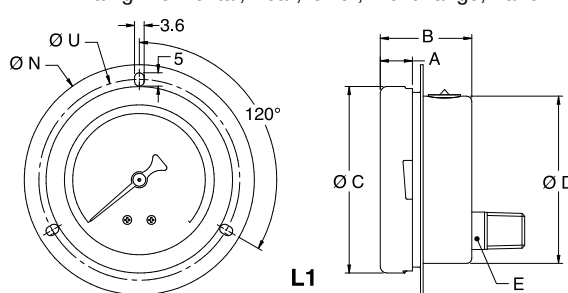
Fitting: Vertical; Rear-back flange; Panel mounting



Fitting: Horizontal; Rear, lower; Direct mounting



Fitting: Horizontal; Rear, lower; Front flange; Panel mounting



Mounting	A	B	Ø C	Ø D	E	Ø N	Ø U	M	S	Poids [g]
B0	5	31.5	68	62.5	SW.14	-	-	-	-	189
L0	12	33	69.7	62.5	SW.14	-	-	-	-	209
B1	12	33	69.7	62.5	SW.14	86	75	77	7	254
L1	12	33	69.7	62.5	SW.14	86	75	-	-	240

BAMO INTERNATIONAL

22, Rue de la Voie des Bans · Z.I. de la gare · 95100 ARGENTEUIL

Tel +33 (0)1 30 25 83 20 Web www.bamo.eu

Fax +33 (0)1 34 10 16 05 E-mail export@bamo.fr

**Bourdon pressure gauge,
stainless steel / EN 837-1
P103**

PR

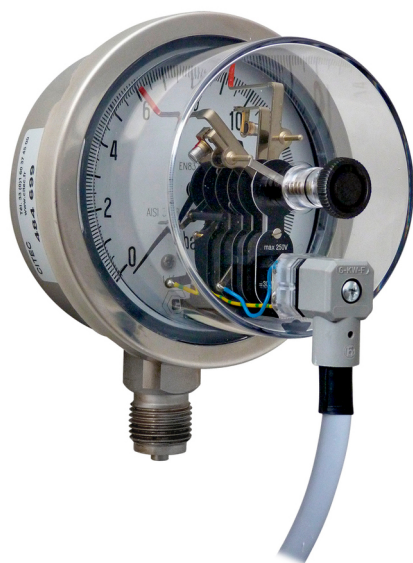
812-54/2

09-06-2020

D-812.54-EN-AD

Pressure gauges, AISI, Ø 100, with magnetic contacts

Série P501



- Deep polycarbonat cover
- Safe operating concept
- 1 or 2 contacts in gauge Ø 100

APPLICATIONS

In addition to the indication of the pressure by the gauge, the contacts allow to activate remote alarms.

DESCRIPTION

Contacts are mounted only on Ø 100 pressure gauges with stainless steel dry case.

The removable cover allows the installation of a block of contacts operated by the pointer of the gauge.

The contacts are mounted in front of the dial and are adjustable over the full range of the measuring scale (DIN 16085). Option: Mounting of contacts behind the dial with P502 series (see corresponding data-sheet).

The set points and their indicators are adjusted from outside the cover using a disengageable key. Two contacts of the same block can be set to the same threshold value. The contact is activated when the pointer passes above or below the set point.

The pointer moves freely through the entire range, regardless of settings.

Assembly on pressure gauge guard:

Mounting the pressure gauge on a gauge guard requires the use of a specific bench. BAMO may fill on its bench for you: gauge guard with pressure gauge, pressure switch or pressure transmitter. The degassed oil is filled in under vacuum to guarantee a good pressure transmission and therefore a good accuracy.

TECHNICAL FEATURES

Pressure gauges:

Type	Ø 100, stainless steel, dry case, polycarbonat cover
Class	1 to 2.5
Operating temperature	According to assembly
Storage temperature	-40 ... +65 °C
Measuring range	From 0 ... 2.5 bar up to 0 ... 25 bar

Magnetic contacts:

Rated working voltage	Max. 250 V
Switching current	Max. 1.0 A
Current load	Max. 0.6 A
Switching power	Max. 30 W
Contacts material	Ag 80 Ni 20
Switching accuracy	Magnetic contact: around ±2 ... 5% F.S.
Settings	Positioning of the indicator with the disengageable key.
Electrical connections	Removable connector on the front, with 2 meter long cable
Transparent cover	Deep polycarbonat window
Protection	IP 65

EC Conformity: The device meets the legal requirements of the current European Directives

BAMO INTERNATIONAL

22, Rue de la Voie des Bans · Z.I. de la gare · 95100 ARGENTEUIL

Tel +33 (0)1 30 25 83 20 Web www.bamo.eu

Fax +33 (0)1 34 10 16 05 E-mail export@bamo.fr

Pressure gauges, AISI, Ø 100,
with magnetic contacts
Série P501

22-06-2022

D-812.69-EN-AD

PR

812-69/1

CONTACTS OPERATION

The contact opens or closes the electrical loop.

NC contact: A "Normally Closed" contact will open when the rising pressure passes over the set point (clockwise pointer movement)

NO contact: A "Normally Open" contact will close when the rising pressure passes over the set point.

CODE NUMBERS AND REFERENCES

1/ Pressure gauges

Ordering information: For each system gauge + contact, select the code of the pressure gauge and add the block contact(s) to be mounted.

Code	Reference	Range	Fitting
812 804	P501 0-2,5	0... 2.5 bar	BSP-M 1/2"
812 805	P501 0-4	0... 4 bar	BSP-M 1/2"
812 806	P501 0-6	0... 6 bar	BSP-M 1/2"
812 807	P501 0-10	0... 10 bar	BSP-M 1/2"
812 808	P501 0-16	0... 16 bar	BSP-M 1/2"
812 809	P501 0-25	0... 25 bar	BSP-M 1/2"

2/ Block contact(s)

Pic. 1, 2, 4, 5, 6 and 7 : The contact is closed when the pointer is located in the thick sector(s) of the scale.

816 510	1 x NO NO contact	1 Brown 3 — o — 1 Blue
816 511	1 x NC NC contact	2 Brown 3 — o — 1 Blue
816 514	2 x NO 1st contact: NO 2nd contact: NO contact	4 Brown 3 — o — 1 Black o — 2 Blue
816 512	1 x NO + 1 x NC 1st contact: NO contact 2nd contact: NC	5 Brown 3 — o — 1 Blue o — 2 Black
816 513	1 x NC + 1 x NO 1st contact: NC 2nd contact: NO	6 Brown 3 — o — 1 Blue o — 2 Black
816 515	2 x NC 1st contact: NC 2nd contact: NC	7 Brown 3 — o — 1 Blue o — 2 Black

BAMO INTERNATIONAL

22, Rue de la Voie des Bans · Z.I. de la gare · 95100 ARGENTEUIL

Tel +33 (0)1 30 25 83 20 Web www.bamo.eu

Fax +33 (0)1 34 10 16 05 E-mail export@bamo.fr

Pressure gauges, AISI, Ø 100,
with magnetic contacts
Série P501

22-06-2022

D-812.69-EN-AD

PR

812-69/2

Capsule pressure gauge, AISI 316 / EN 837-1 P601



- All stainless steel
- Case: Diam. 100 or 150 mm
- Ranges: -600 ... 25 ... 600 mbar

APPLICATIONS

- Dedicated to low pressure measurements

TECHNICAL FEATURES

Accuracy	Class 1.6
Type	Dry dial
Ambient temperature	-40 ... +65 °C
Fluid temperature	Max. 100 °C
Temperature drift	Maximum display error $\pm 0.4\%$ / 10 °C of reading in case of 20 °C deviation from the normal temperature.
Operating ranges	-600 ... 25 ... 600 mbar 6 ... 16 mbar (Diam. 150 mm)
Movement	Welded capsule
Protection	IP 54
Process connection	BSP-M or NPT-M 1/2" BSP-M or NPT-M 1/4" BSP-M 3/8" M20 x 1.5 / male

PRESSURE LIMITS

Static	End of scale
Dynamic	0.9 x end of scale

MATERIALS

Capsule	AISI 316 L
Movement	AISI 304
Case and ring	AISI 304
Weld sealing	Arc welding - TIG argon
Seals	Neoprene
Dial	Aluminum, black graduations on white background
Pointer	Aluminum, black coating; Adjustable zero
Window	SEKURIT glass

Options on request: Certificates, or other configurations

EC Conformity: The instrument meets the legal requirements of the current European Directives.

BAMO INTERNATIONAL

22, Rue de la Voie des Bans · Z.I. de la gare · 95100 ARGENTEUIL

Tel +33 (0)1 30 25 83 20 Web www.bamo.eu

Fax +33 (0)1 34 10 16 05 E-mail export@bamo.fr

Capsule pressure gauge, AISI
316 / EN 837-1
P601

09-02-2022

D-812.78-EN-AA

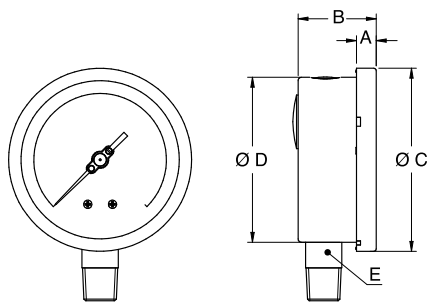
PR

812-78/1

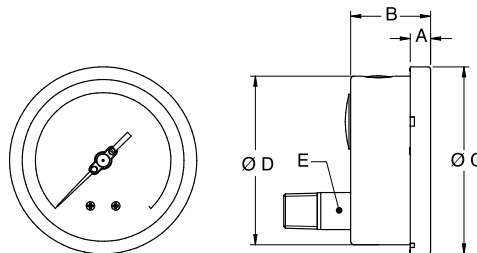
CODE NUMBERS AND REFERENCES

Code	Reference	Description
812 xxx	P601	All stainless steel capsule pressure gauge / EN 837-1 Diam.100 mm; Process: BSP-M 1/2"; Vertical & direct mounting; Range O/A
Mounting		
812 xxx	P601 B0	Vertical & Direct mounting
812 xxx	P601 L0	Central rear connection - Wall mounting
812 xxx	P601 B1	Vertical connection - Rear flange - Wall mounting

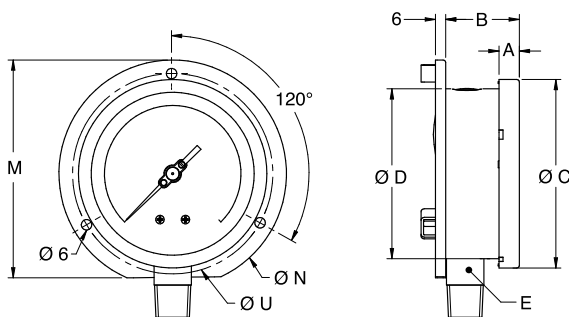
DIMENSIONS



B0 Mass: Diam.100 = 523 g; Diam.150 = 932 g



L0 Mass: Diam.100 = 523 g; Diam.150 = 932 g



L1 Mass: Diam.100 = 638 g; Diam.150 = 1105 g

Diam.	A [mm]	C [mm]	D [mm]	E	B [mm] B0/L0	B [mm] L1	M [mm]	Ø N [mm]	Ø U [mm]
100	12	111	100	SQ.22	48	52	128	134	118
150	15	161	149				172.4	186	168

BAMO INTERNATIONAL

22, Rue de la Voie des Bans · Z.I. de la gare · 95100 ARGENTEUIL
 Tel +33 (0)1 30 25 83 20 Web www.bamo.eu
 Fax +33 (0)1 34 10 16 05 E-mail export@bamo.fr

Capsule pressure gauge, AISI
 316 / EN 837-1
P601

09-02-2022

D-812.78-EN-AA

PR

812-78/2

Needle valve A 32



- Made from metal bar stock
- Operating pressure: 413 bar Max.
- Temperature: 240 °C Max.

APPLICATIONS

Designed for direct mounting on pipe for liquid, gas or steam, this shut-off valve can be used to isolate a pressure gauge.

TECHNICAL FEATURES

WET PARTS

Body	AISI 316
Stem thread	AISI 316
Needle	AISI 316
Sealing	PTFE (200 °C Max.)

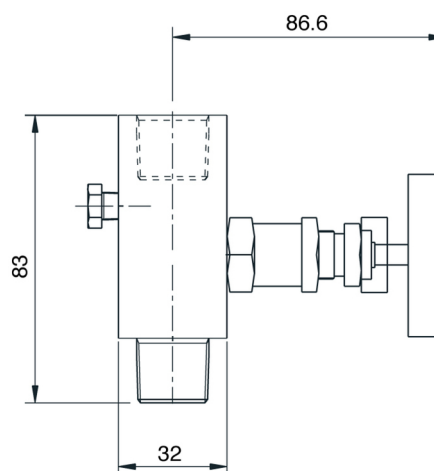
FITTINGS

Gauge side	1/2" BSP-F
Process side	1/2" BSP-M
Drain plug	1/4" NPT - F

OPTIONS Degreasing for application with oxygen

EC Conformity: The instrument meets the legal requirements of the current European Directives

DIMENSIONS



CODE NUMBERS AND REFERENCES

Needle valve, AISI 316, made from metal bar stock ,
With drain plug 1/4" NPT - F

Code	Reference	Description
816 476	V 102	Fittings, 1/2" BSP-F to gauge and 1/2" BSP-M to process

Options, certificates, other versions: on request

BAMO INTERNATIONAL

22, Rue de la Voie des Bans · Z.I. de la gare · 95100 ARGENTEUIL

Tel +33 (0)1 30 25 83 20 Web www.bamo.eu

Fax +33 (0)1 34 10 16 05 E-mail export@bamo.fr

Needle valve
A 32

12-07-2018

D-816.01-EN-AA

PR

816-01 /1

Damper for pressure gauges A201



- **Adjustable damper for liquids, gases and steam**
- **Operating pressure: Max. 400 bar**
- **Temperature: Max. 180 ° C**

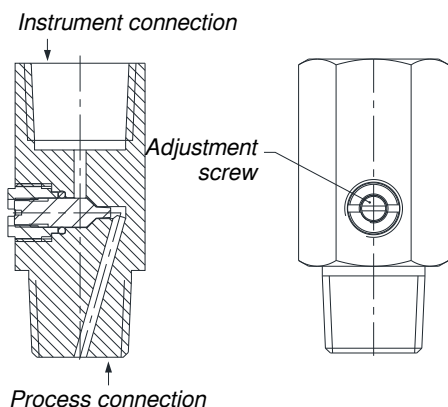
APPLICATIONS

- Protection of pressure gauges against sudden variations in pressure (pressure peaks, pressure surges, pulsating regime, etc.).

DESCRIPTION

A damper A201 protects the pressure measuring instrument against undesirable effects of pulsating regime. It includes an adjustable needle which narrows the pressure channel, to adjust according the operating conditions. Well adjusted on site, it considerably increases the service life of pressure gauges in conditions of use where the pressure varies abruptly such as on compressors, pumps, while preserving precision.

Note: In the case of mechanical vibrations, the use of a pressure gauge oil filled is required.



TECHNICAL FEATURES

Model	Adjustable
Body	316 stainless steel
Gaskets and seals	FPM
Operating temperature	Max. 180 ° C
Operating pressure	Max. 400 bar
Instrument connection	1/2" BSP - F
Process connection	1/2" BSP - M

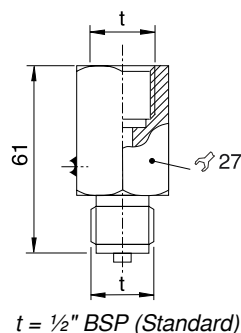
Other fittings on request

EC Conformity: The instrument meets the legal requirements of the current European Directives.

CODE NUMBER AND REFERENCE

Code	Reference	Description
816 460	A 201	Adjustable damper

DIMENSIONS



BAMO INTERNATIONAL

22, Rue de la Voie des Bans · Z.I. de la gare · 95100 ARGENTEUIL
 Tel +33 (0)1 30 25 83 20 Web www.bamo.eu
 Fax +33 (0)1 34 10 16 05 E-mail export@bamo.fr

**Damper for pressure gauges
A201**

18-06-2020

D-816.02-EN-AB

PR

816-02/1

Overpressure protector for gauges A 202



- **Adjustable pressure limit**
For liquids, gases and steam
- **Overpressure up to 400 bar**
- **Temperature up to 180 °C**

APPLICATIONS

Protection of pressure gauges and pressure transmitters against overpressure.

DESCRIPTION

The A202 is designed to protect an instrument from damage caused by overpressure, exceeding the measurement range. A valve closes automatically at the preset value, avoiding the circulation of the fluid towards the instrument. When the pressure drops back 25% below the preset value, the valve opens and restore the circulation of the fluid. The pressure relief valve is usually mounted between the instrument and a gauge separator.

TECHNICAL FEATURES

Types 1 and 2 Bellows limiter
Types 3, 4, 5, 6 and 7 Piston limiter

Standard models:

Body AISI 316
Gasket & seals FPM
Operating temperature Max. 180 °C
Operating pressure Max. 400 bar
Instrument connection Or 1/2" BSP - F, or 1/2" NPT - F
Process connection Or 1/2" BSP - M, or 1/2" NPT - M

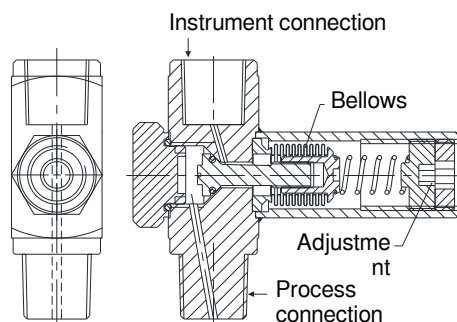
EC Conformity: The instrument meets the legal requirements of the current European Directives.

CODE NUMBERS AND REFERENCES

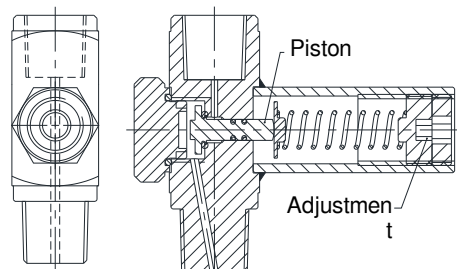
Code : 816 xxx

Range	Reference	Description
200 mbar ... 1.6 bar	A202 Type 1	Bellows system
2.5 ... 4 bar	A202 Type 2	
6 ... 16 bar	A202 Type 3	Piston system
16 ... 40 bar	A202 Type 4	
30 ... 80 bar	A202 Type 5	
60 ... 160 bar	A202 Type 6	
100 ... 400 bar	A202 Type 7	

Options, certificates, other specifications: On request



Types: 1 and 2



Types: 3, 4, 5, 6 and 7

BAMO INTERNATIONAL

22, Rue de la Voie des Bans · Z.I. de la gare · 95100 ARGENTEUIL
Tel +33 (0)1 30 25 83 20 Web www.bamo.eu
Fax +33 (0)1 34 10 16 05 E-mail export@bamo.fr

Overpressure protector for
gauges
A 202

18-06-2020

D-816.03-EN-AB

PR

816-03/1

Pressure gauge siphons A 102



- U shape, for horizontal mounting, roll-up, for vertical mounting
- Maximum pressure: 400 bar
- Maximum temperature: 160 °C

APPLICATIONS

- Protection of pressure gauges against high temperatures on steam networks.

DESCRIPTION

The siphon is connected directly to the piping system. A condensate stays in the siphon and prevents the entry of hot fluid into the gauge. Before commissioning, the siphon must be filled with water.

TECHNICAL FEATURES

Type 1	Coil shape (vertical mounting)
Type 2	Pigtail shape (vertical mounting)
Type 3	U shape (horizontal mounting)
Material	AISI 316 Carbon steel ASTM A105
Operating temperature	Max. 160 °C
Operating pressure	Max. 400 bar
Instrument connection	Or 1/2" BSP-F, or 1/2" NPT-F
Process connection	Or 1/2" BSP-M, or 1/2" NPT-M Or fitting for direct welding on pipe

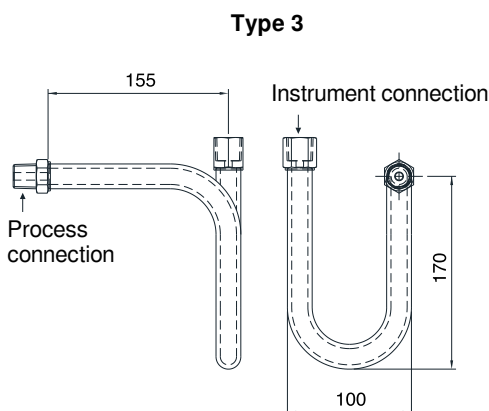
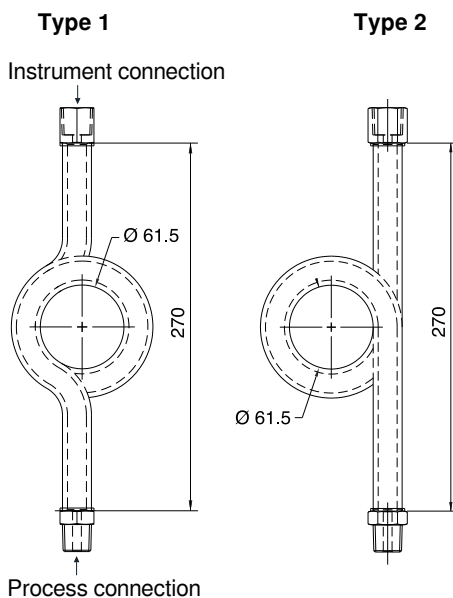
EC Conformity: The instrument meets the legal requirements of the current European Directives.

CODE NUMBERS AND REFERENCES

Pressure gauge siphon, Max. 400 bar / 160 °C, AISI 316

Code	Reference	Description
816 xxx	A 102 type "x"	Fittings: 1/2" BSP-M to process; Gauge side: 1/2" BSP-F
816 xxx	A 102 type "x"	Fittings: For welding to process; Gauge side: 1/2" BSP-F

Options, certificates, other models: On request



BAMO INTERNATIONAL

22, Rue de la Voie des Bans · Z.I. de la gare · 95100 ARGENTEUIL
Tel +33 (0)1 30 25 83 20 Web www.bamo.eu
Fax +33 (0)1 34 10 16 05 E-mail export@bamo.fr

Pressure gauge siphons
A 102

21-06-2020

D-816.04-EN-AA

PR

816-04/1

Pressure switch with display PE 827



- Compact, easy to use
- Ranges from -1 ... 0 up to 0 ... 40 bar
- Analogue output 4 ... 20 mA
- 2 Digital outputs

APPLICATIONS

- Continuous control on hydraulic, pneumatic applications, in vacuum, cooling process; Filter monitoring in the range of -1 ... 0 ... 40 bar

DESCRIPTION

PE 827 is a robust instrument, with 2 NPN contact outputs and 1 analogue output 4-20 mA. This pressure switch integrates a sensor with a heavy duty ceramic diaphragm. Controlled by microprocessor, it allows the user to easily access the various configuration parameters, such as trigger points and switching functions. Its LED display guarantees perfect readability in all circumstances. It displays the measured value, the parameters, the status of outputs.

This pressure switch has, a reverse polarity protection circuit, and, a short-circuit protection. A diagnostic function is available from the keyboard. This function allows a complete control of the electronics as well as the measuring cell and to take note of the memorized pressure peaks.

TECHNICAL FEATURES

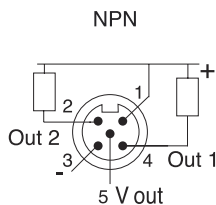
Operating ranges	From -1 ... 0 up to 0 ... 40 bar
Overpressure	Ranges ≤ 10 bar: 4 times the F.S. Ranges > 10 bar: 3.5 times the F.S.
Accuracy	$\pm 1\%$ F.S.
Long-term stability	$\pm 0,3\%$ F.S.
Response time	≤ 5 ms
Pressure cycle	< 100 Hz

Operating conditions	Compatible liquids and gases
Fluid temperature	$-20 \dots +80$ °C
Ambient temperature	$-20 \dots +80$ °C
Storage temperature	$-40 \dots +80$ °C

Display	4 LED, 7 segments each, for measurement + 2 LED, 1 segment each, for scale unit & status
---------	---

Outputs	Analogue (x1): 4-20 mA (terminales 3 y 5) Digital (x2): NO/NC contacts; open collector, 250 mA max
---------	---

Power supply	17 ... 33 V DC
Load	4...20 mA: $< 500 \Omega$
Consumption	Max. 50 mA
Electrical protections	Against short circuits and reverse polarity
Connections	Male connector M 12x1 (5-pin)
Protection	IP 65 and IP 67 according to IEC 60529



BAMO INTERNATIONAL

22, Rue de la Voie des Bans · Z.I. de la gare · 95100 ARGENTEUIL
 Tel +33 (0)1 30 25 83 20 Web www.bamo.eu
 Fax +33 (0)1 34 10 16 05 E-mail export@bamo.fr

Pressure switch with display
PE 827

06-04-2022

D-827.01-EN-AB

PR

827-01 /1

Set up

Analogue output	Adjustment by 75 ... 125 % F.S.
Digital outputs	Adjustment on rising pressure: 8 ... 100% F.S. Adjustment on decreasing pressure: 5 ... 97 % F.S. Switching or N.O. or N.F. contact Delay for switch-on and switch-off: adjustable from 0 to 50 s

Diagnostic function

Manual action From keyboard: Complete controls of electronics, measuring cell, stored pressure peaks

Fitting	BSP 1/4"
	AISI 316 L (1.4404)
Sealing	FPM
Housing	Polyarylamide 50% FV black
Diaphragm	Ceramic Al ₂ O ₃ 96 %
Mounting	Any position (downward connector not recommended)
Mass	About 120 g

EC Conformity: The instrument meets the legal requirements of the current European Directives.

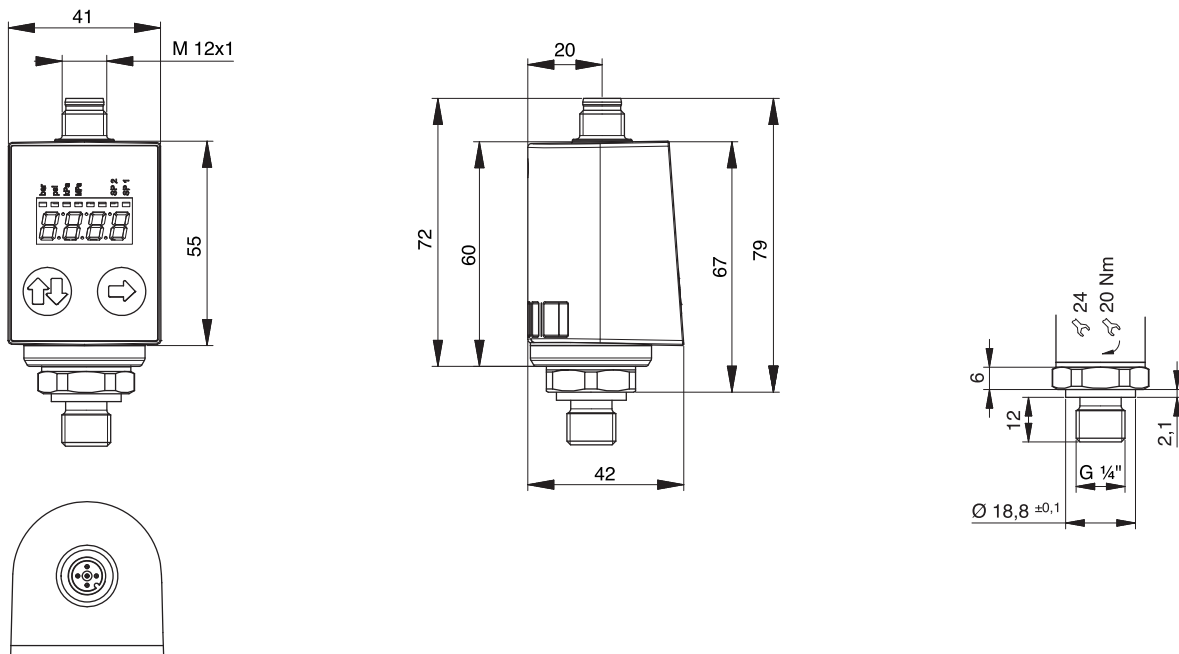
CODE NUMBERS AND REFERENCES

Code	Reference	Description
827 102	PE 827	Pressure switch with display - Range 0 ... 2.5 bar
827 106	PE 827	Pressure switch with display - Range 0 ... 6 bar
827 110	PE 827	Pressure switch with display - Range 0 ... 10 bar
827 116	PE 827	Pressure switch with display - Range 0 ... 16 bar
827 125	PE 827	Pressure switch with display - Range 0 ... 25 bar
715 998		Connector, elbow, M12 - 5-pin

Other measuring ranges:

-1 ... 0 ; 0 ... 1 ; 0 ... 40 (barg)

DIMENSIONS



BAMO INTERNATIONAL

22, Rue de la Voie des Bans · Z.I. de la gare · 95100 ARGENTEUIL

Tel +33 (0)1 30 25 83 20 Web www.bamo.eu

Fax +33 (0)1 34 10 16 05 E-mail export@bamo.fr

Pressure switch with display
PE 827

06-04-2022

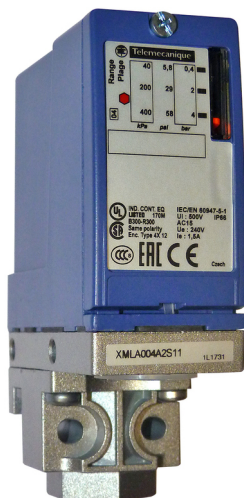
D-827.01-EN-AB

PR

827-01 /2

Pressure switches XMLA

- Range: 0.4 ... 35 bar
- Resistant to vibrations and shocks



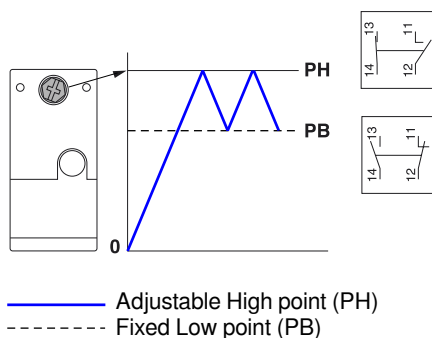
APPLICATIONS

- Local pressure monitoring without reading, with alarm contacts
- Control of fluids: Air, Softened water, Hydraulic oil

DESCRIPTION

XML-A, pressure switch, allows the triggering of a high alarm or a low alarm. The contact is adjusted using a screwdriver or an Allen key and an indication window for reaching the adjustment.

TECHNICAL FEATURES



Pressure switch type	Electromechanical pressure detector
Fluids compatibility	Air - Softened water - Hydraulic oil
Fluid temperature	0... 70 °C
Hydraulic connection	BSPF 1/4" Female thread (ISO 228)
Electrical connections	Screw terminals, 1x0.5 ... 2x2.5 mm ²
Connections	ISO n°1 (13; 14; 11; 12) OF
Cable	AWG 20 to AWG 14
Cable entry	For cable gland 9 ... 13 mm
Contacts	Silver Contacts 1 N.O. & 1 N.C. contacts
Switch type	Single threshold detection
Outputs	Remote control
Hysteresis	Fixed hysteresis
Display	Local indicator
Pressure actuator	Diaphragm
Wet parts materials	FPM, Zinc alloy (XMLA 004A / 010A) Brass, Nitrile, Zinc alloy (XMLA 020A / 035A)
Housing material	Zinc alloy
Sealing	IP 66
Electrical protection	Class 1
Short circuit protection	10 A fuse cartridge
Overriding resistance [Uimp]	Rated voltage: 6 kV
Auxiliary contacts	Snap action maneuver
Resistance to vibrations	4 gn (f = 30 ... 500 Hz)
Resistance to mechanical shock	50 gn
Lifetime	5,000,000 cycles
Mounting positions	All positions
Operating temperature	-25 ... +70 °C
Storage temperature	-40 ... +70 °C
Mass	685 g (XMLA 004A / 020A) 695 g (XMLA 020A / 035A)
Agreements	BV CCC CSA LROS (Lloyds register of shipping) UL EAC

EC Conformity: The instrument meets the legal requirements of the current European Directives.

BAMO INTERNATIONAL

22, Rue de la Voie des Bans · Z.I. de la gare · 95100 ARGENTEUIL
Tel +33 (0)1 30 25 83 20 Web www.bamo.eu
Fax +33 (0)1 34 10 16 05 E-mail export@bamo.fr

Pressure switches
XMLA

16-03-2020

D-892.03-EN-AB

PR

892-03/1

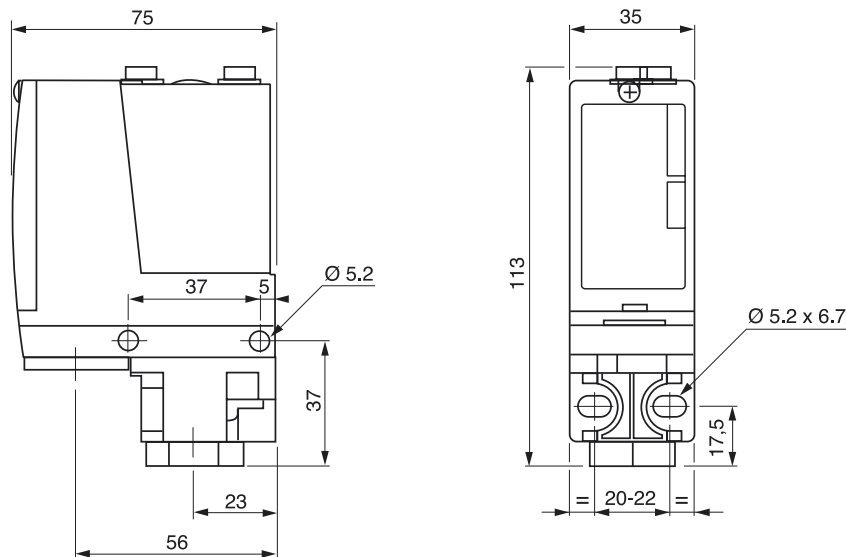
PRESSURE RANGES

Model	XMLA 004A	XMLA 010A	XMLA 020A	XMLA 035A
Adjustment range (Higher)	0.4 ... 4 bar	0.6 ... 10 bar	1 ... 20 bar	1.5 ... 35 bar
Fixed hysteresis	0.35 bar	0.5 bar	1 bar	1.25 bar
Overpressure allowed per cycle	5 bar	12.5 bar	25 bar	45 bar
Accidental pressure allowed	9 bar	22.5 bar	45 bar	80 bar
Breaking pressure	18 bar	45 bar	90 bar	160 bar

CODE NUMBERS AND REFERENCES

Code	Reference	Description
892 080	XMLA004A2S11	Pressure switch 0.4 ... 4 bar; 1 adjustable contact (N.O. or N.C.) - fitting BSPF 1/4"
892 081	XMLA010A2S11	Pressure switch 0.6 ... 10 bar; 1 adjustable contact (N.O. or N.C.) - fitting BSPF 1/4"
892 086	XMLA020A2S11	Pressure switch 1 ... 20 bar; 1 adjustable contact (N.O. or N.C.) - fitting BSPF 1/4"
892 087	XMLA035A2S11	Pressure switch 1.5 ... 35 bar; 1 adjustable contact (N.O. or N.C.) - fitting BSPF 1/4"

DIMENSIONS [mm]



BAMO INTERNATIONAL

22, Rue de la Voie des Bans · Z.I. de la gare · 95100 ARGENTEUIL

Tel +33 (0)1 30 25 83 20 Web www.bamo.eu

Fax +33 (0)1 34 10 16 05 E-mail export@bamo.fr

Pressure switches
XMLA

16-03-2020

D-892.03-EN-AB

PR

892-03/2

Pressure Switches KPI



- Ranges: from 0 up to 12 bar
- Suitable for pumps and compressors
- Electric terminals on the front

APPLICATIONS

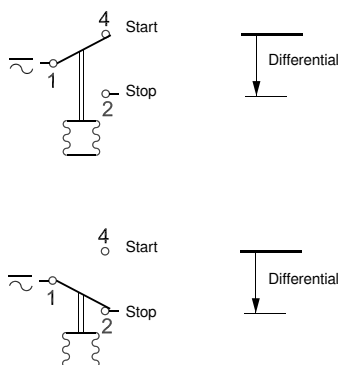
- For local pressure monitoring without indication, with alarm contacts; Designed for liquids, gaseous fluids and vapors.

DESCRIPTION

The KPI pressure switch enables triggering an alarm and allows a regulation between two thresholds. The KPI has a change-over contact which switches according the settings. It has a pressure differential adjustment between opening and closing.

TECHNICAL FEATURES

Contact	1 change-over (SPDT)
Current	Max. 10 A / 400 V
Parts in contact with the fluid	Bellows: Tinned bronze Pressure fitting: Brass
Cable gland	Ø 6 ... 14 mm
Mounting position	Vertical
Housing	Polycarbonate cover
Vibration stability	0... 1,000 Hz; 4 g
Protection	IP 33 IP 44 on request
Pressure fitting	BSP 1/4"
Operating temperature	-40 ... +65 °C
Fluid temperature	-40 ... +100 °C
Mass	300 g
Certifications	RINA CCC RMRS UL



EC Conformity: The instrument meets the legal requirements of the current European Directives.

BAMO INTERNATIONAL

22, Rue de la Voie des Bans · Z.I. de la gare · 95100 ARGENTEUIL

Tel +33 (0)1 30 25 83 20 Web www.bamo.eu

Fax +33 (0)1 34 10 16 05 E-mail export@bamo.fr

Pressure Switches
KPI

29-06-2020

D-892.04-EN-AA

PR

892-04/1

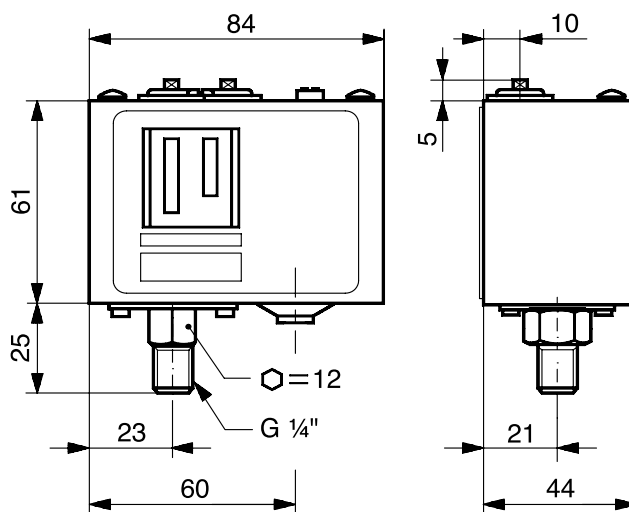
OPERATING PRESSURE RANGES

Model	KPI 35	KPI 36
Switching adjustment	0... 8 bar	4 ... 12 bar
Adjustable hysteresis	0.4 ... 1.5 bar	0.5 1.6 bar
Max. pressure	18 bar	18 bar
Max. test pressure	18 bar	18 bar

CODE NUMBERS AND REFERENCES

Code	Reference	Description
892 083	KPI 35	Pressure switch -0.2 ... 8 bar; IP 33; 1 SPDT contact; BSP 1/4"
892 084	KPI 36	Pressure switch 4 ... 12 bar; IP 33; 1 SPDT contact; BSP 1/4"

DIMENSIONS [mm]



BAMO INTERNATIONAL

22, Rue de la Voie des Bans · Z.I. de la gare · 95100 ARGENTEUIL

Tel +33 (0)1 30 25 83 20 Web www.bamo.eu

Fax +33 (0)1 34 10 16 05 E-mail export@bamo.fr

Pressure Switches
KPI

PR

892-04/2

29-06-2020

D-892.04-EN-AA