



ET-Roller 7

Electric Roller for fire hoses up to 6" – powered by 18 V batteries

Compact battery-operated Foldable Fire Hose Roller with a powerful built-in electric motor powered by two 18 V batteries minimizes the time required for reeling unwound fire hoses after action or training. The 4-wheel chassis ensures high comfort during winding and subsequent handling of heavy fire hoses. The device can be also used for emptying filled fire hoses or for controlled unwinding of an already wound hose.



- ▶ 660W electric motor powered by two 18 V batteries
- ▶ Quick and convenient winding of both dry and wet fire hoses up to 6"
- ▶ Option to choose the type of removable carrier (DRUM or 2 FORKS) according to the size of the hose to be wound up
- ▶ Suitable for various winding methods – smooth winding of the hose by the coupling as well as hoses folded in half
- ▶ Intelligent motor control system – immediate signal in case of overload, e.g., due to hose entanglement
- ▶ Ergonomic, robust construction with unique features:
 - ▶ folding 4-wheel chassis for high comfort when winding heavy fire hoses
 - ▶ various types of removable carriers for easy removal of the hose from the roller



"DRUM" type of removable carrier

"2 FORKS" type of removable carrier

- **Electric:**
powerful electric motor powered by two 18 V batteries
- **Powerful:**
winds 1 meter per second
- **Versatile:**
suitable for hoses A, B, C, D up to 6"
- **Comfortable:**
stable 4-wheel chassis for easy winding of heavy fire hoses without effort, back or arms pain
- **Foldable:**
easy to transport
- **Robust:**
durable steel construction
- **Safe:**
innovative guiding coil with integrated safety feature



ET-Roller 7



Hose draining



Hose protector



The roller with a new 4-wheel chassis solves the winding and movement of heavy fire hoses – without unnecessary strain on the back and arms

The lowered position of the guiding coil ensures better functionality and also serves as a safety stop for the hose coupling during the final stage of winding

Electric motor powered by 18 V batteries

Winding procedure with "DRUM" type carrier

Hose mount

Adjustment of the guiding coil side width

Roller ready for use

Release of the guiding coil

Convenient removal of hose from roller

Perfectly symmetrically wound hose ready for storage



Technical details

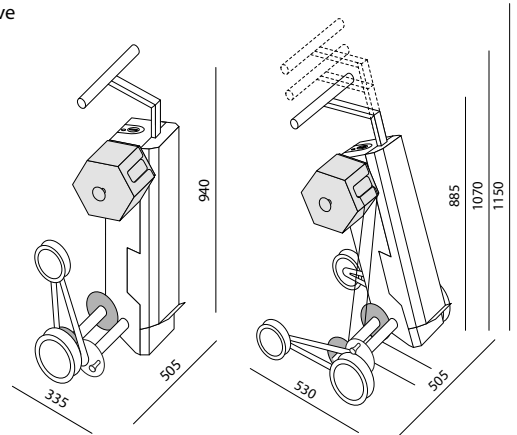
Robust steel frame. The heavy-duty parts of all the shafts are made of high-strength steel. Durable surface finish – powder-coated or galvanized. Powerful DC motor, water and dust resistant. Motor powered by two 18 V batteries (not included). Safe operation thanks to low working voltage. Durable control elements. Unique design ensuring high stability during winding and allows for easy handling of the wound hose. 4-wheel chassis for comfortable winding of large and heavy fire hoses while walking and during static winding. As an optional accessory we recommend the „hose protector“ which protects the fire hose and coupling against abrasion during the static winding.

Principle

The roller is very easy and quick to operate. Fit the straightened fire hose onto the selected type of removable carrier. Set the main switch to winding mode – ON. Press the WORK button on the handle and wind the full length of the hose. Then turn off the roller by changing to the position OFF. We can comfortably take the fire hose off thanks to the removable carrier immediately after winding, or if it needs to be moved closer, for example to the fire truck, we can leave it on a roller and take it to its destination, where it is subsequently removed from the roller. The roller can also be used for convenient draining water from the filled hose by pulling it over guiding coil or for controlled unwinding wound hoses using the REVERSE function.

Safety

- Safety limit on winding power (automatically switches off if limit is excessively exceeded)
- Smooth start, immediate stop
- Safe working voltage – 2 x 18 V



Type	ET-Roller 7
Dimensions in use (w x d x h)	505 x 530 x 885-1150 mm
Dimensions of folded roller (w x d x h)	505 x 335 x 940 mm
Height of roller with handle at the maximum	1150 mm
Package dimensions	1000 x 670 x 380 mm
Weight without fire hose with "DRUM" type of removable carrier	39,5 kg without batteries (2 x 18 V) 43 kg with batteries (2 x 18 V)
Types of fire hoses that can be wound	A, B, C, D, up to 6"

Optional accessories at extra cost	Material	Dimensions	Weight (kg)
Hose protector	stainless steel	228 x 352 x 160 mm (w x d x h)	1,1
Removable carrier – "DRUM" type	stainless steel	ø 214 mm, length 200 mm	5,6
Removable carrier – "2 FORKS" type	stainless steel	pitch 70 mm, length 180 mm	2,7