

# Float level switch NIVOSTOP® HP4



- For wastewater and clear water
- Pressure up to 4 bar
- Robust (double shell) and compact design
- High-quality neoprene cable
- With or without mounting counterweight

## APPLICATIONS

Pump or alarm start/stop control in lift stations and wastewater pumping stations. Its compact size makes it particularly suitable for small spaces.

## DESCRIPTION

The NIVOSTOP HP4 detector is specially designed for use on clean or waste water, in small spaces and/or at relatively great depths (up to 40 meters).

The operating principle remains similar to that of the other products in the NIVOSTOP range, except that the ballast is not integrated into the envelope. The latter is optional and its use will depend on the application and service conditions.

Under the thrust of the fluid, the tilting of the float activates a contact connected to a control panel. Its fixing point, the added counterweight and the length of the cable make it possible to adjust the ON-OFF for switching in a small space.

The Nivostop HP4-xx-H05 features a large-diameter cable and a reinforced sealing system (two envelopes) for maximum durability and reliability in harsh environmental conditions.

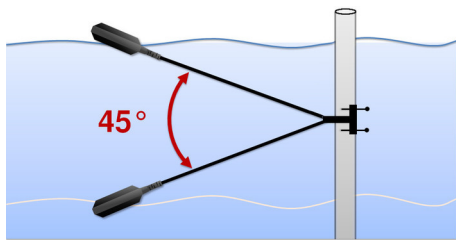
**Two shells to protect the switch:**



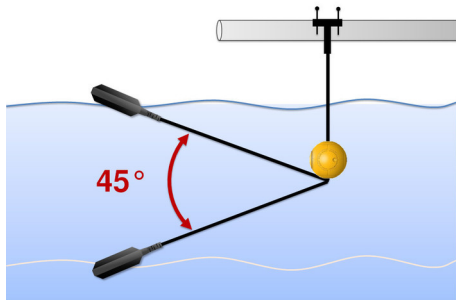
1. First sealed chamber
2. Second sealed chamber
3. Final thermoplastic seal :
4. EPDM rubber cable gland: tested at 5 bar

**Counterweight (230g) :**

It allows the float switch to operate with the same cable length at all times, even in turbulent waters, avoiding damage to the cable. It also stabilizes the movement of the float switch and effectively tracks level changes.



(Fig. a) Mounting without ballast



(Fig. b) Ballast option



Ballast or Counterweight

**BAMO** INTERNATIONAL

22, Rue de la Voie des Bans · Z.I. de la gare · 95100 ARGENTEUIL

Tel +33 (0)1 30 25 83 20 Web [www.bamo.eu](http://www.bamo.eu)

Fax +33 (0)1 34 10 16 05 E-mail [export@bamo.fr](mailto:export@bamo.fr)

Float level switch  
NIVOSTOP® HP4

11-05-2026

D-522.15-EN-AC

LEV

522-15/1

## TECHNICAL FEATURES

Max. permissible pressure	4 bar
Protection rate	IP 68
Temperature	-15...+50 °C
Allowable density	0,95...1,05
Switching angle	45 °
Contact type	Changeover micro switch
Breaking capacity	0.2 to 10A (resistive load) 0.2 to 8A (motor load) - 250 V AC
Cable	Neoprene, H05 RNF 3X1 mm <sup>2</sup> Ø7.5mm
Length	5, 10 and 20 metres
Seal	EPDM
Enclosure	PP : see dimensions opposite

**CE conformity:** The device complies with the legal requirements of current European Directives.

## CODE NUMBERS AND REFERENCES

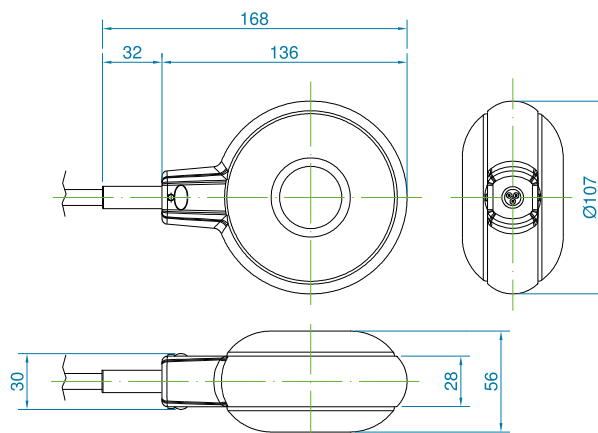
Code	Reference	Cable length	Unit weight [kg]
522 407	NIVOSTOP HP4-10-H05	10 m	1,14
522 409	NIVOSTOP HP4-20-H05	20 m	2,03



### Accessories :

Code	Designation
520 907	PP fastening ballast 230 gr
520 917	Cable fastener Fixing for 1 cable
520 919	Anchoring clamp (Cable clamp Fixation for 2 cables)

## DIMENSIONS



# BAMO INTERNATIONAL

22, Rue de la Voie des Bans · Z.I. de la gare · 95100 ARGENTEUIL  
 Tel +33 (0)1 30 25 83 20 Web [www.bamo.eu](http://www.bamo.eu)  
 Fax +33 (0)1 34 10 16 05 E-mail [export@bamo.fr](mailto:export@bamo.fr)

Float level switch  
**NIVOSTOP® HP4**

11-05-2026

D-522.15-EN-AC

LEV

522-15/2